

*get started*

INSTANT POT **DUO™ CRISP**  
**WITH ULTIMATE LID**  
USER MANUAL

Instant™

# Welcome

to your new Duo™ Crisp with Ultimate Lid!

This Instant Pot® Duo™ Crisp with Ultimate Lid is designed to pressure cook and air fry using a single lid. It'll help you cook healthy, delicious meals more easily and in less time. We hope you fall in love with your Instant Duo Crisp with Ultimate Lid, and enjoy it in your kitchen for years to come!



Get Started with your Duo™  
Crisp with Ultimate Lid!

## **⚠ WARNING**

Before using your new Duo Crisp with Ultimate Lid, read all instructions, including the Safety and Warranty document. Failure to follow the safeguards and instructions may result in personal injury and/or property damage.

## CONTENTS

What's in the box	10
Using your Duo Crisp with Ultimate Lid	11
Changing Duo Crisp with Ultimate Lid settings	12
Using the Ultimate Lid	14
Initial set up	18
Pressure Cook + Steam	20
Sauté	23
Slow Cook	25
Sous Vide	27
Yogurt	29
Air Fry	31
Bake + Roast	33
Grill	35
Dehydrate + Proofing	36
Keep Warm	38
Cleaning	39
Troubleshooting	40
Error codes	42
Learn more	43
Warranty	44

# INSTANT POT®

DUO™ CRISP WITH ULTIMATE LID

---

## **Safety Instructions**

At Instant, we want you to feel comfortable using our products. This Instant Pot® Duo™ Crisp with Ultimate Lid was designed with you and your safety in mind.

**Read all instructions before using and only use this appliance as directed. Failure to follow these Important Safeguards may result in personal injury and/or property damage and will void your warranty.**

*When using electrical appliances, basic safety precautions should always be followed to reduce the risk of fire, electric shock, personal injury and/or property damage*

# **IMPORTANT SAFEGUARDS**

---

## **⚠ WARNING**

# READ ALL INSTRUCTIONS

### **Placement**

**DO** place the appliance on a countertop only. Always operate the appliance on a stable, non-combustible, level surface.

**DO** make sure all parts are dry and free of food debris before placing the cooking pot on the cooker base.

**DO NOT** place the appliance on or close to a hot gas or electric burner, or a heated oven.

**DO NOT** use the appliance near water or flame.

**DO NOT** use outdoors. Keep out of direct sunlight.

**DO NOT** place on anything that may block the vents on the bottom of the appliance.

### **General Use**

The removable inner cooking pot is extremely hot during use, and can be extremely heavy when full of ingredients.

**DO** use oven mitts when handling the inner cooking pot and removing accessories.

**DO** place hot accessories on a heat-resistant surface or cooking plate.

**DO** use care when lifting the cooking pot from the cooker base to avoid burn injury.

**DO** use extreme caution when the cooking pot contains hot food, hot oil or other hot liquids.

## **⚠ WARNING**

**DO** use only the Instant Pot lid that came with this cooker base. Using any other pressure cooker or air fryer lids may cause personal injury and/or property damage.

**DO NOT** use the appliance without the removable inner cooking pot installed.

**DO NOT** touch the metal portion of the lid, the appliance's hot surfaces, or any accessories during or immediately after cooking because they will be hot. Only use the side handles for carrying or moving.

**DO NOT** use this appliance for deep frying with oil.

**DO NOT** move the appliance while it is in use and use extreme caution when disposing of hot grease.

**DO NOT** allow children or persons with reduced physical, sensory or mental capabilities to operate this appliance. Close supervision is necessary when any appliance is used by or near children and persons with reduced physical, sensory or mental capabilities. Children should not play with this appliance.

**DO NOT** use the appliance for anything other than household use. It is not intended for commercial use.

**DO NOT** leave the appliance unattended while in use.

### **Pressure Cooking**

This appliance cooks under pressure. Allow the appliance to depressurise naturally or release all excess pressure before opening. Inappropriate use may result in burns, personal injury and/or property damage.

**DO** make sure the appliance is properly closed before operating.

**DO** check that the steam release valve is installed.

**DO** use the Instant Pot lid when pressure cooking. *For instructions on how to use the lid, see the User Manual or Getting Started Guide.*

## **⚠ WARNING**

**DO** turn the appliance off if steam escapes from the hot air outlet in a steady stream for longer than 3 minutes. If steam escapes from the sides of the lid, turn the appliance off. Once steam stops, pressure is released, and the cooker has cooled carefully make sure the sealing ring is properly installed.

**DO** check the steam release valve, steam release pipe, anti-block shield and float valve for clogging before use. *For instructions on how to clean these parts, see the User Manual.*

**DO NOT** attempt to force the lid off the Instant Pot cooker base.

**DO NOT** move the appliance when it is under pressure.

**DO NOT** cover or obstruct the steam release valve and/or float valve with cloth or other objects.

**DO NOT** attempt to open the appliance until it has depressurised, and all internal pressure has been released. Attempting to open the appliance while it is still pressurised may lead to sudden release of hot contents and may cause burns, personal injury, and/or property damage.

**DO NOT** place your face, hands or exposed skin over the hot air outlet when the appliance is in operation or has residual pressure, and do not lean over the appliance when removing the lid.

### **Overfill During Pressure Cooking**

Overfilling may cause a risk of clogging the steam release pipe and developing excess pressure.

**DO NOT** fill the inner cooking pot over the line labeled 'PC MAX – 2/3'.

**DO NOT** fill the inner cooking pot over the line labeled '– 1/2' when cooking foods that expand during cooking such as rice, dried beans or dried vegetables.

## **⚠ WARNING**

**DO** exercise extreme caution when cooking and venting food(s) such as applesauce, cranberries, pearl barley, oatmeal, split peas, noodles, etc. as these foods may foam, froth, or spatter, and may clog the steam release pipe, valve, and/or steam release handle.

**DO NOT** fill the inner pot higher than the “PC MAX- 1/2” line when cooking these foods. Failure to follow this warning may lead to personal injury and/or property damage and may void your warranty.

**DO NOT** place oversized foods into the inner cooking pot as they may cause risk of fire, personal injury and/or property damage.

**DO** check that sealing ring is properly installed.

### **Air Frying**

When the unit is air frying, hot air is released through the air vents. Keep your hands and face away from the air vents and take extreme caution when removing hot accessories from the appliance. Failure to do so may result in personal injury or property damage.

**DO** use the included inner cooking pot when air frying.

**DO** use the Instant Pot Lid when air frying. *For instructions on how to use the lid, see the User Manual or Getting Started Guide.*

**DO NOT** place unprotected hands inside the appliance until it has cooled to room temperature.

**DO NOT** use a ceramic-coated or stoneware inner pot for air frying.

**DO NOT** block the vents on the bottom of the cooker base or on the lid. Leave at least 13 cm of space around the lid when in use.

**DO NOT** place the appliance on a hot stove.

**DO NOT** operate the appliance on or near combustible materials such as tablecloths and curtains.

**DO NOT** cover the air vents while air frying. Doing so will prevent even cooking and may cause damage to the appliance.



## **⚠ WARNING**

**DO NOT** place the lid directly on countertop; use the protective pad provided.

Should the unit emit black smoke when air frying, press **Cancel** and unplug the appliance immediately. Wait for smoking to stop before removing the lid, then clean thoroughly.

### **Overfill During Air Frying**

**DO NOT** overfill the air fryer basket when air frying. Only fill air fryer basket as high as the basket handles, and no higher.

**DO NOT** allow food to contact the heating element.

### **Accessories**

**DO** use only accessories or attachments authorised by Instant Brands. The use of parts, accessories or attachments not recommended by the manufacturer may cause a risk of fire, personal injury and/or property damage.

**DO** use only an authorised stainless-steel inner cooking pot for the Duo Crisp with Ultimate Lid to reduce the risk of pressure leakage.

**DO** only replace the pressure cooking cover with an authorised Instant Pot pressure cooking cover to prevent personal injury and damage to the appliance.

**DO NOT** use the included accessories in a microwave, toaster oven, convection or conventional oven, or on a ceramic cooktop, electric coil, gas range or outdoor grill.

### **Care and Storage**

**DO** let the appliance cool to room temperature before cleaning or storage.

## **⚠ WARNING**

**DO NOT** store any materials in the cooker base when not in use.

**DO NOT** place any combustible materials in the cooker base, such as paper, cardboard, plastic, Styrofoam or wood.

### **Power Cord**

A short power-supply cord is used to reduce the risk resulting from it being grabbed by children, becoming entangled in, or tripping over a longer cord.

WARNING: Spilled food can cause serious burns. Keep appliance and cord away from children.

Never drape cord over edge of counter, never use outlet below counter, and never use with an extension cord.

**DO NOT** let the power cord touch hot surfaces or open flame, including the stovetop.

**DO NOT** use with power converters or adapters, timer switches or separate remote-control systems.

This appliance has a 3-prong earthed plug. To reduce the risk of electric shock:

**ONLY** plug the power cord into an earthed electrical outlet.

**DO NOT** remove earth.

### **Electrical Warning**

The cooker base contains electrical components that are an electrical shock hazard. Failure to follow these instructions may result in electric shock.

To protect against electrical shock:

To disconnect, select **Cancel**, then remove plug from power source. Always unplug when not in use, as well as before adding or removing parts or accessories, and before cleaning. To unplug, grasp the plug and pull from the outlet. Never pull from the power cord.

## **⚠ WARNING**

**DO** regularly inspect the appliance and power cord. **DO NOT** operate the appliance if the power cord or plug is damaged, or after the appliance malfunctions or is dropped or damaged in any manner. For assistance, contact Customer Care by email at **UKSupport@instantbrands.com** (if located in the UK) or **EUSupport@instantbrands.com** (if located in the EU) or by phone at **+44 (0) 3331230051** .

**DO NOT** attempt to repair, replace or modify components of the appliance, as this may cause electric shock, fire or fire, personal injury and/or property damage, and will void the warranty.

**DO NOT** tamper with any of the safety mechanisms, as this may result in personal injury or property damage.

**DO NOT** put liquid or food of any kind into cooker base without the inner cooking pot.

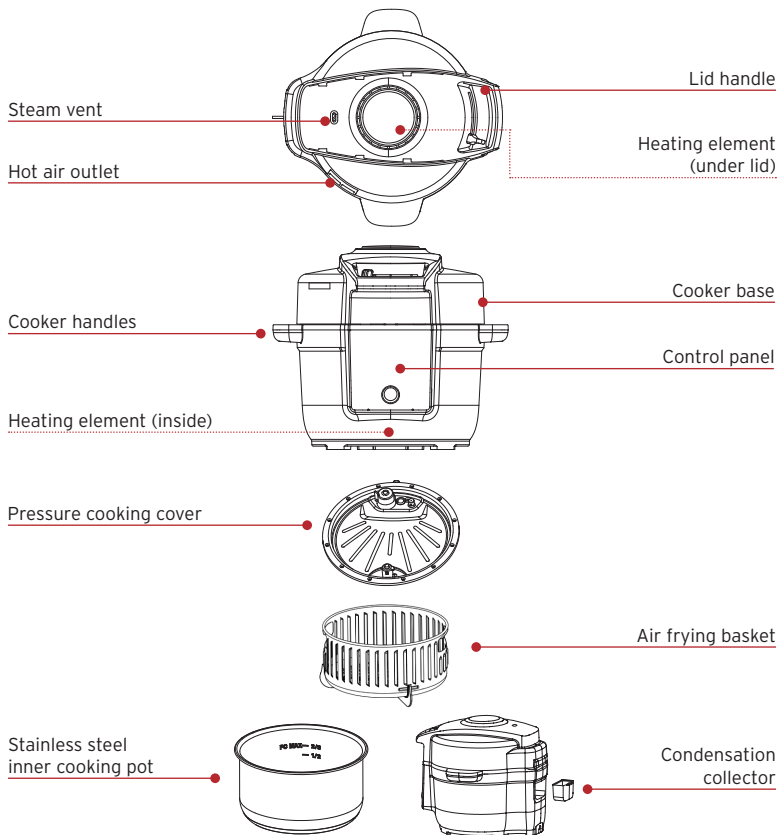
**DO NOT** immerse power cord, plug or the appliance in water or other liquid.

**DO NOT** use the appliance in electrical systems other than 220- 240V~ 50-60Hz.

# **SAVE THESE INSTRUCTIONS**

# WHAT'S IN THE BOX

## Duo™ Crisp with Ultimate Lid



*Illustrations are for reference only and may differ from the actual product.*

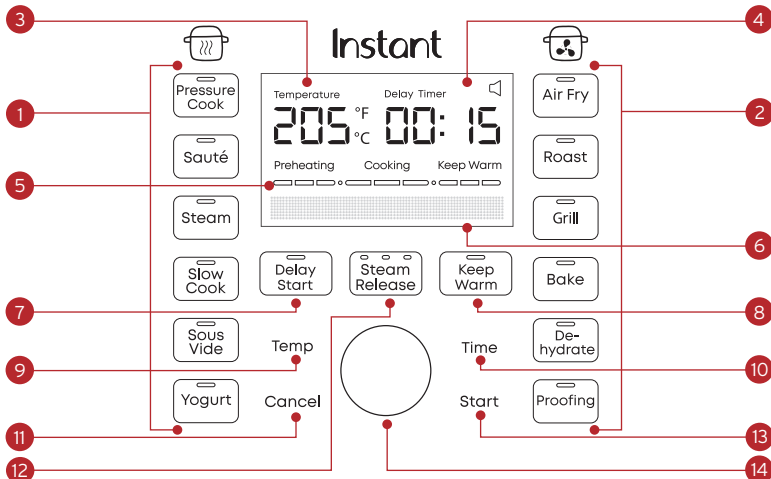
### Remember to recycle!

We designed this packaging with sustainability in mind. Please recycle everything that can be recycled where you live. Be sure to keep this Guide, along with the Safety and Warranty insert for reference.

# USING YOUR DUO CRISP WITH ULTIMATE LID

## Control panel

We've designed the control panel to be simple to use and easy to read.



1. Pressure Cooking smart programmes
  - Light shows the active smart programme
2. Air Frying smart programmes
  - Light shows the active smart programme
3. Temperature Display
  - Choose Fahrenheit or Celsius
4. Time Display
  - Cook time countdown
  - Keep Warm count
5. Cooking Progress Bar
6. Message Bar
  - Displays status messages
7. Delay Start
  - Can also serve as Kitchen Timer
8. Keep Warm
  - On or Off
9. Temperature
10. Time
11. Cancel
12. Steam Release Control Button
  - Lights show type of steam release selected
13. Start
14. Control Dial
  - Adjust time and temperature

## Cooking Progress Bar

1. **Preheating:** cooker is heating to the set temperature. Display shows cooking time.
2. **Cooking:** cooker has started the smart programme. Display counts down cooking time.
3. **Keep Warm:** turns on automatically after cooking stops. When done, display shows **End**.

# CHANGING DUO CRISP WITH ULTIMATE LID SETTINGS

## Turning sound On/Off

You can choose to have audible cooking alerts on or off.

- When in Ready mode, press and hold the **Time** and **Temperature** buttons for 5 seconds until the display shows **Sound On** or **Sound Off**.

*Audible safety alerts (beeps) cannot be turned off.*

## Choosing temperature scale

You can choose to show cooking temperature in either Fahrenheit or Celsius.

- When in Standby mode, press and hold the **Temp** button for 5 seconds until the display shows **Temp Unit F** or **Temp Unit C**.

## Delay the start of cooking

You can use Delay Start to delay cooking for a minimum of 10 minutes or a maximum of 24 hours.

4. Select a smart programme, adjust the settings as you want, then press **Delay Start**.
5. When the time flashes, use the **Control Dial** to adjust the delay time.
6. Press **Start** and the timer counts down.
7. When Delay Start ends, the smart programme begins, and the display shows cooking time.
8. Delay Start is not available with the **Air Fry, Sauté, Yogurt, Sous Vide, Roast, Grill, Bake, Dehydrate, Proofing** or **Keep Warm** smart programmes.

## Set a timer

You can set a cooking timer for a minimum of 1 minute or a maximum of 1 hour.

1. When in Ready mode, press **Delay Start**.
2. When the time flashes, use the **Control Dial** to adjust the delay time.
3. Press **Start** and the timer counts down.
4. When the timer ends, the display shows **Ready**.

## Reset Smart Programmes to original settings

### Reset smart programmes

- While in Ready mode, press and hold one smart programme button for over 3 seconds until the smart programme button blinks twice.  
*The smart programme's settings are restored to the factory default setting.*
- While in Cooking mode, press and hold the currently used smart programme button for over 3 seconds until the smart programme button blinks twice.  
*The smart programme's settings are restored to the factory default setting.*

### Reset all settings

- While in Ready mode, press and hold the Control Dial for over 3 seconds until the smart programme buttons blink 3 times and the display shows **Ready**.  
*All settings are restored to the factory default setting.*

## USING THE ULTIMATE LID

You'll use the Ultimate Lid for both pressure cooking and air frying, as well as other types of cooking. Always use the lid that came with Instant Pot Duo Crisp with Ultimate Lid cooker base.

### **⚠ WARNING**

Do not open the lid until all pressure is released and the the message says "Ok to open lid." Opening the lid before pressure is released, may result in burns, personal injury and/or property damage. Do not lean over steam vent. Hot steam may release and result in burns or personal injury.

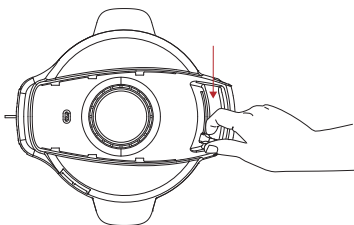
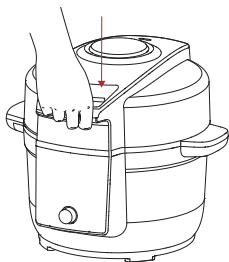
### Open the Lid

1. After pressure cooking, be sure to release the steam before opening. See How to Release Steam on page 17.
2. Turn the Lid Lock Switch to the **Unlock** position.
3. Use the lid handle to raise the lid from the cooker base.

### Close and lock the Lid

For pressure cooking, the lid must be securely locked into place to prevent steam from escaping.

1. Use the lid handle to lower the lid onto the cooker base, and press the lid down.
2. For pressure cooking turn the Lid Lock Switch to the **Lock** position.



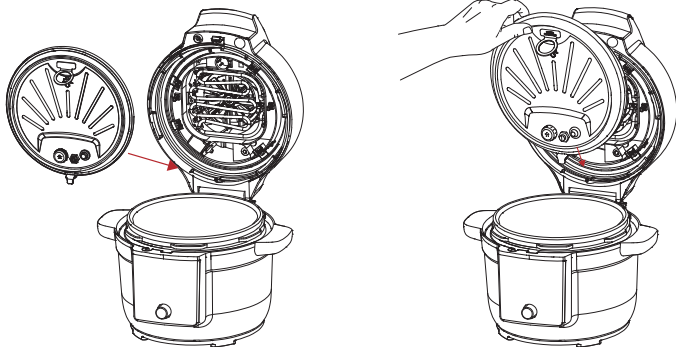


## How to use the Pressure Cooking Cover

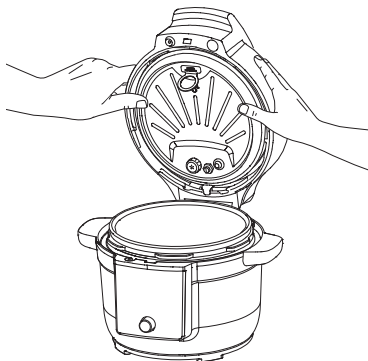
For pressure cooking and other smart programmes that use the pressure cooking functions of the Ultimate Lid, you'll need to install the Pressure Cooking Cover.

### Install the Pressure Cooking Cover

1. Insert the Pressure Cooking Cover into the slot on the underside of the Ultimate Lid, bottom first.

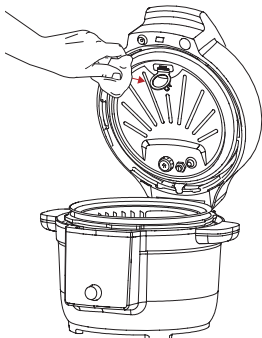


2. Push the Pressure Cooking Cover fully into place. When the Pressure Cooking Cover is in place, you will hear a locking sound.

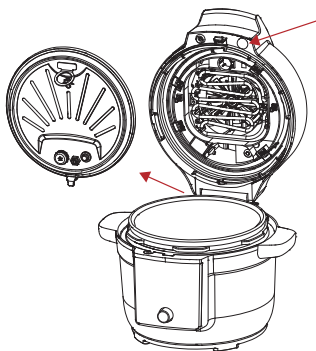


## Remove the Pressure Cooking Cover

1. Open the Ultimate Lid, and then grasp the Inner Cover holder loop.
2. *Be sure to hold the Pressure Cooking Cover holder loop with a kitchen cloth or protective gear since it may still be hot.*



3. Press the red button on top of the lid, and the Pressure Cooking Cover will release.



## How to release steam

Your Duo Crisp with Ultimate Lid can release steam in 3 different ways. Select the option that best fits the type of food you're cooking.

Choose	Natural Release	Pulse Release	Quick Release
How?	Releases steam gradually over time (up to 40 minutes or more) after cooking stops	Releases timed bursts of steam in quick puffs after cooking stops	Quickly releases steam after you press the steam release button
Use for	Foods that can simmer, like stews, chili, pasta, oatmeal, beans and grains	Foods like rice and grains	Foods that tend to overcook, like vegetables and seafood

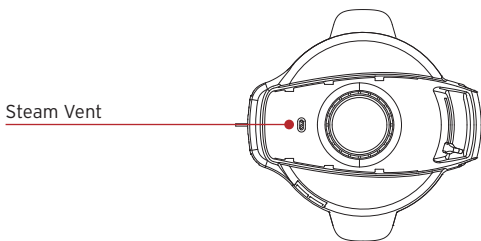
### How to release steam

1. Press the Steam Release on the Front Control Panel to toggle between Natural Release, Pulse Release and Quick Release.

*You can change the steam release type any time: before, during, or after cooking.*

2. When all steam is released the display shows **OK to open lid**.
3. After steam release, you can use the lid handle to open the lid.

*Hot steam releases from the steam vent; do not place your hands or face near the vent when steam is releasing.*



## INITIAL SET UP

### Clean before use

1. Wash the Inner Cooking Pot with hot water and soap. Rinse and use a soft cloth to dry the outside. Or you can wash the Inner Cooking Pot in the dishwasher.
2. Wipe the heating element inside the cooker base and the inside of the Ultimate Lid with a soft cloth to ensure there are no stray packaging particles.

### Using the condensation collector

The condensation collector sits at the back of the cooker base and accumulates overflow moisture from the condensation rim. It should be installed before cooking, then emptied and rinsed out after each use.

#### Remove the condensation collector

- Pull the condensation collector away from the cooker base; do not pull down.

#### Install the condensation collector

- Align the grooves on the condensation collector with the tabs on the back of the cooker base and slide the condensation collector into place.

### Using the Air Frying Basket

When using any of the Air Fry programmes the air frying basket should be used to allow air to circulate evenly throughout the cooking process.

### Test run

Before using your new Duo Crisp with Ultimate Lid for the first time, you must perform a pressure cooking test run to ensure everything is working correctly.

### To perform a test run:

1. Follow the instructions for pressure cooking on page 20.
2. Fill the inner cooking pot with water to the first fill line, but do not add food.
3. Select **Pressure Cook**
4. Set the cooking time to 5 minutes.
5. Select **Quick Steam Release** with the steam button.
6. Press **Start**.
7. When done, the appliance will release steam.
8. After steam is released, the message bar will show **Ok to open lid**.
9. Wash and dry the inner cooking pot.

*Now you're ready to cook a meal in your Duo Crisp with Ultimate Lid!*

## PRESSURE COOK + STEAM

Both programmes use pressurised steam to quickly and evenly cook foods. Use Pressure Cook for most pressure cooking recipes and use Steam as you would a regular stovetop steamer, boiling liquid to cook food with hot steam.

### **⚠ WARNING**

#### **MUST USE INNER POT**

Inner cooking pot must always be used. To prevent personal injury, do not place food or liquid into cooker base.

#### **DO NOT OVERFILL**

Over-filling the Inner Cooking Pot may lead to personal injury or property damage.

**Do not** fill the Inner Cooking Pot higher than the PC Max - 2/3 line as indicated in the Inner Cooking Pot.

**Do not** fill the Inner Cooking Pot higher than the -1/2 line when cooking foods that expand, such as uncooked beans, applesauce, oatmeal, barley, and noodles.

#### **DO NOT REMOVE LID WHEN PRESSURE COOKING**

**Do not** open lid when pressure cooking. Removing the lid before pressure is released may result in burns, personal injury, and/or property damage.

### Using liquid for pressure cooking

Pressure cooking requires liquid in the inner cooking pot to produce the steam needed. For this Duo Crisp with Ultimate Lid, here are the minimum amounts you'll need:

Cooking Pot Size	Minimum Liquid for Pressure Cooking*
6.2 Litres	500 mL

*\*Unless otherwise specified in recipe.*

Pressure cooking liquids should be water-based, such as broth, stock, soup or juice. If using canned, condensed, or cream-based soup, add water as directed above.

## Programme settings

Choose from these settings for each smart programme:

Smart Programme	Temperature	Default Cook Time	Min. Cook Time	Max. Cook Time
Pressure Cook	Automatically set	10 minutes (00:10)	0 minutes (00:00)	4 hours (04:00)
Steam	Automatically set	10 minutes (00:10)	0 minutes (00:00)	1 hours (01:00)

## How to pressure cook or steam

### Prep

Cut, chop, season or marinate your ingredients according to your recipe.

### Preheat

1. Place the inner cooking pot into the cooker base.
2. Add ingredients to the inner cooking pot.
3. Make sure the Pressure Cooking Cover is installed in the Ultimate Lid.
4. Close the lid on the cooker base and lock it.  
*See 'Close and lock the lid' for full details.*
5. Press **Pressure Cook** or **Steam**. The indicator light will blink.
6. The default or last used cooking time will display. To change it, press **Time** and turn the **Control Dial** to change it, then press **Control Dial** to select it.

7. For the Pressure Cook smart programme, Keep Warm is **On** by default. If you want to turn it off, press **Keep Warm**.
8. The default or last-used steam release type is displayed. To change it, press the **Steam Release** button as needed to toggle through the options.

*See 'How to release steam' for full details.*

9. Press **Start**. The Progress Bar shows **Preheating** and the Duo Crisp with Ultimate Lid starts heating. The display shows Preheating.

*It can take 10-15 minutes to preheat for cooking. Preheating time can be longer than 15 minutes for 2/3 max. Frozen foods increase the preheating time. The cooking time you choose will be the new setting the next time you use that smart programme.*

## **Cook**

1. When the cooker reaches pressure, the Duo Crisp with Ultimate Lid starts pressure cooking. The unit displays **Cooking** and the cooking timer starts counting down.
2. When the timer reaches 00:00, cooking stops.
3. When the display shows **Ok to Open Lid**, you can open the lid.
4. Press **Cancel** if you want to finish cooking before the timer stops.

## **Keep Warm**

When the Pressure Cook smart programme completes and Keep Warm is turned on, the timer begins counting from 00:00 up to 10 hours (10:00). If Keep Warm is turned off, the display shows End.



## SAUTÉ

Use Sauté in place of a frying pan or saucepan. Sautéing can deepen the flavours of your food, or can simmer, thicken or reduce sauces.

Choose from these settings to sauté:

Default Temp.	Min. Temp.	Max. Temp.	Default Cook Time	Min. Cook Time	Max. Cook Time
Level 1	Level 1	Level 6	30 minutes (00:30)	1 minute (00:01)	1 hour (01:00)

### How to sauté

#### Prep

Cut, chop, season or marinate your ingredients according to your recipe.

#### Preheat

1. Place the inner cooking pot into the cooker base.
2. Keep the lid open during the entire Sauté cooking process.
3. Press **Sauté**. The indicator light will blink.
4. The default or last used cooking time will display. To change it, press **Time** and turn the **Control Dial** to change it, then press **Control Dial** to select it.
5. The default or last used cooking temperature will display. To change it, press **Temp** and turn the **Control Dial** to change it, then press **Control Dial** to select it.
6. Press **Start**. The Progress Bar shows **Preheating** and the Duo Crisp with Ultimate Lid starts heating. The display shows **Preheating**.

## Cook

1. When display shows **Add Food**, add ingredients.
2. The unit displays **Cooking**.
3. When timer ends, display shows **End**.
4. Press **Cancel** if you want to finish cooking before the timer stops.

## Deglazing

Deglazing is the process of adding a liquid to a hot pan, releasing all of the delicious, caramelised pieces stuck to the bottom.

1. Remove food from inner pot.
2. Add water, broth, or wine.
3. Use a wooden spoon or silicone spatula to loosen food stuck to bottom of the inner cooking pot.

## Sautéing before Pressure or Slow Cooking

Quite often, you'll want to sauté foods to brown them before further cooking them.

1. Sauté ingredients.
2. Press **Cancel**.  
*You can deglaze the Inner Cooking Pot now before switching to **Pressure Cook** or **Slow Cook** (see **Deglazing**).*
3. Select the smart programme you want to use to cook.

## SLOW COOK

Slow Cook lets you make your favourite simmering and stewing recipes. This programme does not use pressure to cook food.

Choose from these settings for slow cooking:

Default Temp.	Min. Temp.	Max. Temp.	Default Cook Time	Min. Cook Time	Max. Cook Time
High	Low	High	4 hours (04:00)	30 minutes (00:30)	24 hours (24:00)

### How to slow cook

#### Prep

Cut, chop, season or marinate your ingredients according to your recipe.

#### Preheat

1. Place the inner cooking pot into the cooker base.
2. Add ingredients to the inner cooking pot.
3. Make sure the Pressure Cooking Cover is installed in the Ultimate Lid.
4. Close the lid on the cooker base and lock it.  
*See 'Close and lock the lid' for full details.*
5. Press **Slow Cook**. The indicator light will blink.
6. The default or last used cooking time will display. To change it, press **Time** and turn the **Control Dial** to change it, then press **Control Dial** to select it.
7. The default or last used cooking temperature will display. To change it, press **Temp** and turn the **Control Dial** to change it, then press **Control Dial** to select it.
8. Keep Warm is **On** by default. If you want to turn it off, press **Keep Warm**.

9. Press **Start**. The Progress Bar shows **Preheating** and the Duo Crisp with Ultimate Lid starts heating. The display shows **Preheating**.
10. When the cooker reaches pressure, the Duo Crisp with Ultimate Lid starts slow cooking. The unit displays **Cooking** and the cooking timer starts counting down.
11. When the timer reaches 00:00, cooking stops.
12. Press **Cancel** if you want to finish cooking before the timer stops.

### **Keep warm**

When cooking completes and Keep Warm is turned on, the timer begins counting from **00:00** up to 10 hours (**10:00**). If Keep Warm is turned off, the display shows **End**.

## SOUS VIDE

Sous Vide cooks food underwater in an air-tight, food-safe bag, for a long period of time. Food cooks in its own juices and comes out delicious and very tender. This programme does not use pressure to cook food.

Choose from these settings to sous vide:

Default Temp.	Min. Temp.	Max. Temp.	Default Cook Time	Min. Cook Time	Max. Cook Time
56°C	25°C	90°C	3 hours (03:00)	30 mins (00:30)	99 hours, 30 mins (99:30)

### What you need to sous vide

- Tongs
- Food safe, airtight, re-sealable food pouches  
OR
- Vacuum sealer and food-safe vacuum bags

### How to sous vide

#### Prep

Cut, chop, season or marinate your ingredients according to your recipe.

#### Preheat

1. Place the inner cooking pot into the cooker base.
2. Make sure the Pressure Cooking Cover is installed in the Ultimate Lid.
3. Close the lid on the cooker base and lock it.  
*See 'Close and lock the lid' for full details.*
4. Press **Sous Vide**. The indicator light will blink.
5. The default or last used cooking time will display. To change it, press **Time** and turn the **Control Dial** to change it, then press **Control Dial** to select it.

6. The default or last used cooking temperature will display. To change it, press **Temp** and turn the **Control Dial** to change it, then press **Control Dial** to select it.
7. Press **Start**. The Progress Bar shows **Preheating** and the Duo Crisp with Ultimate Lid starts heating. The display shows **Preheating**.

### **Cook**

1. When display shows **Add Food**, unlock and open the lid and add cooking pouch.
2. Close and lock the lid. The unit displays **Cooking**.
3. When timer ends, display shows **End**.
4. Press **Cancel** if you want to finish cooking before the timer stops.

### **Remove food**

When cooking completes, the display shows End. Use the tongs to carefully remove the cooking pouch.

# YOGURT

You can use your Duo Crisp with Ultimate Lid to easily make delicious, fermented dairy and non-dairy yogurt.

Choose from these settings for making yogurt:

Pasteurising Temperature	Fermenting Temperature	Pasteurising Time	Default Fermenting Time	Min Fermenting Time	Max Fermenting Time
Automatically set	Automatically set	Automatically set 30 minutes (00:30)	8 hours (08:00)	6 hours (06:00)	24 hours (24:00)

## How to make yogurt

Making yogurt is a 3-step process, starting with pasteurising the milk, then adding yogurt starter, and finally cooling the yogurt. Be sure to follow a trusted recipe.

### Prep

1. Prepare the ingredients according to your recipe.
2. Place the ingredients into the Inner Cooking Pot.

### Pasteurise

1. Place the Inner Cooking Pot into the cooker base.
2. Make sure the Pressure Cooking Cover is installed in the Ultimate Lid.
3. Close the lid on the cooker base and lock it.
4. See 'Close and lock the lid' for full details.
5. Press **Yogurt**. The indicator light blinks.
6. Press **Start**. The first Progress Bar displays under Cooking and the Duo Crisp with Ultimate Lid starts heating. The display shows **Step 1. Pasteurise**.
7. When pasteurisation is done, the Duo Crisp with Ultimate Lid starts cooling down, and the second Progress Bar displays under Cooking. Open lid to cool down faster, this takes approximately 90 minutes. The display shows **Cooling Down**.

## Ferment

1. When the Duo Crisp with Ultimate Lid reaches the correct temperature for fermentation, the display shows **Add Yogurt Starter**. Add the yogurt starter and close lid.
2. You have 30 minutes to add the yogurt starter. If you do not add the starter in this time frame, the Yogurt programme will automatically stop.
3. The default or last used fermenting time will display. To change it, press Time and turn the Control Dial to change it, then press Time again to select it.
4. Press Start. The third Progress Bar displays under Cooking. The display shows **Step 2. Ferment**.
5. When the fermenting step is finished, the display shows **End**.
6. Press Cancel if you want to finish cooking before the timer stops.

## Cool

1. Allow yogurt to cool.
2. Place in refrigerator for 12-24 hours to develop flavours.

## How much to make?

Instant Pot Size	Minimum Milk Volume	Maximum Milk Volume
6.2 Liters	1000 mL	3.8 L



## AIR FRY

You can air fry all sorts of foods, fresh or frozen, for a crisp finish without all the oil.

Choose from these settings for air frying:

Default Temp	Min. Temp	Max. Temp	Default Cook Time	Min. Cook Time	Max. Cook Time
204°C	82°C	204°C	20 minutes (00:20)	1 minute (00:01)	1 hour (01:00)

### How to air fry

#### Prep

Prepare the ingredients according to your recipe and have them ready.

#### Preheat

1. Place the Inner Cooking Pot into the cooker base.
2. Place the Air Frying Basket inside the Inner Cooking Pot.
3. Make sure the Pressure Cooking Cover is **NOT** installed in the Ultimate Lid.
4. Close the lid on the cooker base.  
*See 'How to lock the lid' for full details.*
5. Press **Air Fry**. The indicator light will blink.
6. The default or last used cooking time displays. To change it, press **Time** and turn the **Control Dial** to change it, then press **Control Dial** to select it.
7. The default or last used cooking temperature displays. To change it, press **Temp** and turn the **Control Dial** to change it, then press **Control Dial** to select it.
8. When the unit displays **Add Food**, open the lid, add the prepared food, and close the lid.

9. The Duo Crisp with Ultimate Lid starts air frying, and the unit displays **Cooking**.
10. When the unit displays **Turn Food**, open the lid, turn the food, and close the lid.
11. When the timer reaches 00:00, cooking stops.
12. Press **Cancel** if you want to finish cooking before the timer stops.

## BAKE + ROAST

You can bake foods like breads, cakes and pastries, or roast meats and vegetables.

Choose from these settings for each smart programme:

Smart Programme	Default Temp.	Min. Temp.	Max. Temp.	Default Cook Time	Min. Cook Time	Max. Cook Time
Bake	185°C	82°C	204°C	30 mins (00:30)	1 min (00:01)	1 hour (01:00)
Roast	193°C	82°C	204°C	40 mins (00:40)	1 min (00:01)	1 hour (01:00)

### How to bake or roast

#### Prep

1. Prepare the ingredients according to your recipe.
2. If baking, place the ingredients into an oven-safe baking dish that fits in the cooker base.

*Leave approximately 2.5 cm of space around all sides of the baking dish to allow heat to circulate evenly.*

3. If roasting, place the ingredients into the Air Frying Basket.

#### Cook

1. Place the Inner Cooking Pot into the cooker base, and then place the Air Frying Basket inside the Inner Cooking Pot.
2. Make sure the Pressure Cooking Cover is NOT installed in the Ultimate Lid.
3. Close the lid on the cooker base.  
*See 'How to lock the lid' for full details.*
4. Press **Bake** or **Roast**. The indicator light will blink.
5. The default or last used cooking time will display. To change it, press **Time** and turn the **Control Dial** to change it, then press **Control Dial** to select it.

6. The default or last used cooking temperature will display. To change it, press **Temp** and turn the **Control Dial** to change it, then press **Control Dial** to select it.
7. Press **Start**. The Progress Bar shows **Preheating** and the Duo Crisp with Ultimate Lid starts heating. The display shows **Preheating**.
8. When the unit displays **Add Food**, open the lid, place the Air Frying Basket inside the Inner Cooking Pot, and close the lid.
9. The Duo Crisp with Ultimate Lid starts baking/roasting, and the unit displays **Cooking** and the cooking timer starts counting down.
10. When the timer reaches 00:00, cooking stops.
11. Press **Cancel** if you want to finish cooking before the timer stops.

## GRILL

You can grill foods like meats, seafood and vegetables.

Choose from these settings for grilling:

Default Temp.	Min. Temp.	Max. Temp.	Default Cook Time	Min. Cook Time	Max. Cook Time
204°C	Not adjustable	Not adjustable	6 minutes (00:06)	1 min (00:01)	40 mins (00:40)

### How to grill

#### Prep

1. Prepare the ingredients according to your recipe.
2. Place the ingredients into the Air Frying Basket.

#### Cook

1. Place the Inner Cooking Pot into the cooker base.
2. Place the Air Frying Basket inside the Inner Cooking Pot.
3. Make sure the Pressure Cooking Cover is NOT installed in the Ultimate Lid.
4. Close the lid on the cooker base.  
*See 'How to lock the lid' for full details.*
5. Press **Grill**. The indicator light will blink.
6. The default or last used cooking time will display. To change it, press **Time** and turn the **Control Dial** to change it, then press **Control Dial** to select it.
7. Press **Start**. The Duo Crisp with Ultimate Lid starts grilling, and the unit displays **Cooking** and the cooking timer starts counting down.
8. When the timer reaches 00:00, cooking stops.
9. Press **Cancel** if you want to finish cooking before the timer stops.

## DEHYDRATE + PROOFING

You can dehydrate foods like fruit and vegetables or proof dough before baking.

Choose from these settings for each smart programme:

Smart Programme	Default Temp.	Min. Temp.	Max. Temp.	Default Cook Time	Min. Cook Time	Max. Cook Time
Dehydrate	51°C	40°C	73°C	7 hours (07:00)	1 hour (01:00)	72 hours (72:00)
Proof	25°C	23°C	35°C	1 hour (01:00)	30 mins (00:30)	3 hours (03:00)

### How to dehydrate or proof

#### Prep

1. Prepare the ingredients according to your recipe.
2. Place the ingredients into the Air Frying Basket.

#### Cook

1. Place the Inner Cooking Pot into the cooker base.
2. Place the Air Frying Basket inside the Inner Cooking Pot.
3. Make sure the Pressure Cooking Cover is NOT installed in the Ultimate Lid.
4. Close the lid on the cooker base.  
*See 'How to lock the lid' for full details.*
5. Press **Dehydrate** or **Proof**. The indicator light will blink.
6. The default or last used cooking time will display. To change it, press **Time** and turn the **Control Dial** to change it, then press **Control Dial** to select it.
7. The default or last used cooking temperature will display. To change it, press **Temp** and turn the **Control Dial** to change it, then press **Control Dial** to select it.

8. Press **Start**. The Duo Crisp with Ultimate Lid starts dehydrating/proofing, the unit displays **Cooking** and the cooking timer starts counting down.
9. When the timer reaches 00:00, cooking stops.
10. Press **Cancel** if you want to finish cooking before the timer stops.

## KEEP WARM

You can choose to turn Keep Warm on automatically after cooking on many smart programmes. You can also use Keep Warm to reheat food.

Choose from these settings in the Keep Warm smart programme:

Default Temp	Min. Temp	Max. Temp	Default Cook Time	Min. Cook Time	Max. Cook Time
None	Low 62°C	High 77°C	10 hours (10:00)	10 mins (00:10)	10 hours (10:00)

### How to reheat

#### Prep

Place the food to be reheated into the Inner Cooking Pot.

#### Preheat

1. Place the Inner Cooking Pot into the cooker base.
2. Please make sure to install the Pressure Cooking Cover on the Ultimate Lid then close and lock the lid.  
*See 'How to lock the lid' for full details.*
3. Choose **Keep Warm** on the **Control Panel**. The default or previous time and temperature settings will display.
4. To change the reheating time, press **Time**, then turn the **Control Dial** to select a new reheating time.
5. To change the cooking temperature, press **Temperature**, then turn the **Control Dial** to select a new cooking temperature.
6. Press **Start**. The Progress Bar shows **Keep Warm** and the timer starts counting down.
7. When reheating completes, the display shows **End**.



## CLEANING

Clean your Instant Duo Crisp with Ultimate Lid after each use. Always unplug the unit and let all parts cool to room temperature before cleaning. Before use or storing, make sure all surfaces are dry.

### **⚠ WARNING**

**DO NOT** immerse power cord, plug or the appliance in water or other liquid, which may result in electric shock.

Part	Cleaning instructions
Accessories <ul style="list-style-type: none"><li>• Air Frying Basket</li><li>• Pressure Cooking Cover</li><li>• Condensation Collector</li></ul>	<ul style="list-style-type: none"><li>• Wash after each use</li><li>• Hand wash with hot water and mild dish soap or wash in dishwasher, top rack</li><li>• Never use harsh chemical detergents, powders or scouring pads on accessories</li><li>• Empty and rinse condensation collector after each use</li></ul>
Ultimate Lid	<ul style="list-style-type: none"><li>• Use a barely damp cloth to wipe any particles</li></ul>
Inner Cooking Pot	<ul style="list-style-type: none"><li>• Wash after each use.</li><li>• Hand wash with hot water and mild dish soap or wash in dishwasher*</li><li>• Hard water stains may need a vinegar-dampened sponge and scrubbing to remove</li><li>• For tough or burned food residue, soak in hot water for a few hours before cleaning</li><li>• Dry all exterior surfaces before placing in cooker base</li></ul>
Power cord	<ul style="list-style-type: none"><li>• Use a barely damp cloth to wipe any particles off of the power cord</li></ul>
Cooker base	<ul style="list-style-type: none"><li>• Wipe the inside of the cooker base as well as the condensation rim with a barely damp cloth, and allow to air dry</li><li>• Clean the outside of the cooker base and the control panel with a soft, barely damp cloth or sponge</li></ul>

*\*Some discolouration may occur after machine washing, but this will not affect the cooker's safety or performance.*

## TROUBLE SHOOTING

Problem	Cause	Solution
Display remains blank after connecting the power cord	Bad power connection or no power	Inspect power cord for damage. If damage is noticed, contact Customer Care.  Check outlet to ensure it is powered.
	Cooker's electrical fuse has blown	Contact Customer Care.
Steam leaks from side of lid	Lid not closed properly	Open, then close lid.
	Inner cooking pot rim may be misshapen	Check for deformation and contact Customer Care.
Difficulty closing lid	Contents in cooker are still hot	Press Steam Release on the Control Panel, then lower lid onto cooker base and wait for steam and temperature to reduce before attempting to close the lid.
Difficulty opening lid	Pressure inside the cooker	Release pressure according to recipe; only open lid after the display shows "OK to open lid".
Inner pot is stuck to lid when cooker is open	Cooling of inner pot may create suction, causing inner pot to adhere to the lid	To release the vacuum, press Steam Release on the Control Panel and wait for food content inside the inner pot to cool down.
	Too little liquid in the inner pot	Check for scorching on bottom of inner pot. Add thin, water-based liquid to the inner pot: 375 mL

<b>Problem</b>	<b>Cause</b>	<b>Solution</b>
Minor steam leaking/ hissing from steam release valve during cook cycle	Lid not set to Lock position	Check Lid Lock to ensure it's set to Lock.
	Cooker is regulating excess pressure	This is normal; no action required.
Steam gushes from steam release valve when quick release button is in Seal	Not enough liquid in the inner pot	Add thin, water-based liquid to the inner pot: 375 mL
	Pressure sensor control failure	Contact Customer Care.
Occasional clicking or light cracking sound	The sound of power switching and expanding pressure board when changing temperatures	This is normal; no action needed.
	Bottom of the cooking pot is wet	Wipe exterior surfaces of inner pot. Ensure heating element is dry before inserting inner pot into cooker base.

## ERROR CODES

If the control panel displays an error code from this list, there is an issue with the Duo Crisp with Ultimate Lid. Here are the actions you should take to fix the problem.

Code	Cause	Solution
C1, C3	Faulty sensor	Contact Customer Care.
C4	Faulty control panel connection	Contact Customer Care.
C6	Fault pressure switch	Contact Customer Care.
C7	Loss of pressure	Cancel cooking, turn the cooker off, then turn the cooker back on to try to reset. If this doesn't solve the problem, contact Customer Care.
Food burn	High temperature detected at bottom of inner pot; cooker stops to avoid overheating	Turn the cooker off, release pressure according to the recipe, and check the bottom of the cooking pot for food deposits; clear the deposits if possible and restart cooking.
PrSE	Pressure has accumulated during a non-pressure cooking programme	Cancel cooking and set Steam Release to Vent. Once steam is released, restart cooking.

## LEARN MORE

There's a whole world of Instant Duo Crisp with Ultimate Lid information and help just waiting for you. Here are some of the most helpful resources.

### Register your product

[instantbrands.co.uk/product-registration](https://instantbrands.co.uk/product-registration)

### Contact Customer Care

[instantbrands.co.uk/support/](https://instantbrands.co.uk/support/)  
UKSupport@instantbrands.com  
EUSupport@instantbrands.com  
+44 (0) 3331 230051

### Instant Brands Connect App with 1000+ recipes

[instantbrands.co.uk](https://instantbrands.co.uk)  
iOS and Android app stores

### Cooking charts and more recipes

Instant Brands Connect app  
[instantbrands.co.uk/recipes/](https://instantbrands.co.uk/recipes/)

### How-to videos, tips and more

 Instant Brands UK

### Replacement parts and accessories

[instantbrands.co.uk/product-category/instant/](https://instantbrands.co.uk/product-category/instant/)

### Join the community



### Product specifications

Model	Volume	Wattage	Power	Weight	Dimensions
SLC065000	6.2 Litres	1500 watts	220-240V ~ 50-60Hz	10.6 kg	cm: 39.4 x 39.2 x 34

# WARRANTY

Instant Brands (EMEA) Limited, Instant Brands (Ireland) Limited, and Instant Brands LLC (collectively the "Company") warrant this appliance to be free from defects in workmanship and material, under normal household use, for a period of one (1) year from the date of original purchase. This Limited Warranty extends only to the original purchaser and use of the appliance in the UK and EU and must be purchased by an authorised distributor of Instant Brands. This warranty does not cover appliance use outside of the UK and EU.

Proof of original purchase date and, if requested, return of your appliance is required to obtain service under this Limited Warranty. Provided that this appliance is operated and maintained in accordance with the written instructions included with the appliance (which are also available at [instantbrands.co.uk](http://instantbrands.co.uk)), the Company will, at its sole discretion, either: (i) repair defects in materials and workmanship; or (ii) replace the appliance. In the event the appliance is replaced, the Limited Warranty on the replacement appliance will expire 12 months from the date of original consumer purchase (UK only). The Company is not responsible for shipping costs for warranty service.

## Limitation and Exclusions

Any modification or attempted modification to your appliance may interfere with the safe operation of the appliance and may result in serious injury and damage. Any modification or attempted modification to your appliance or any part thereof will void the warranty, unless such modification(s) or alteration(s) were expressly authorised by the Company.

This warranty does not cover (1) normal wear and tear; (2) damage resulting from negligent, unreasonable or misuse of the appliance, improper assembly or disassembly, use contrary to the operating instructions, failure to provide reasonable and necessary maintenance, Acts of God (such as fire, flood, hurricanes and tornadoes), or repair or alteration by anyone, unless expressly directed and authorised by the Company; and (3) repairs where your appliance is used for other than normal household use and in a manner contrary to published user or operator instructions. To the extent permitted by applicable law, the liability of the Company, if any, for any allegedly defective appliance or part shall be limited to repair or replacement of the appliance or part thereof, and shall not exceed the purchase price of a comparable replacement appliance. Except as expressly provided herein and to the extent permitted by law, (1) the Company makes no warranties, conditions or representations, express or implied, usage, custom of trade or otherwise with respect to the appliance or parts covered by this warranty and (2) the Company shall not be responsible or liable for indirect, incidental or consequential damages arising out of or in connection with the use or performance of the appliance or damages with respect to any economic loss, loss of property, loss of revenues or profits, loss of enjoyment or use, costs of removal, installation or other consequential damages of any nature or kind.

You may have rights and remedies under applicable laws, which are in addition to any right or remedy which may be available under this limited warranty.

Please visit [instantbrands.co.uk/product-registration/](http://instantbrands.co.uk/product-registration/) to register your appliance. You will be asked to provide your name, your email address, the store name, date of purchase, model number and serial number (both of which are found on the appliance). This registration will enable us to keep you up-to-date with product developments and recipes, and contact you in the unlikely event of a product safety notification. By registering, you acknowledge that you have read and understood the instructions for use and warnings accompanying the appliance.

## Warranty Service

To obtain warranty service, please contact our Customer Care Department by creating a support ticket online at [Instantbrands.co.uk/support/](http://Instantbrands.co.uk/support/).

If we are unable to resolve the problem, you may be asked to send your appliance to the Service Department for quality inspection. Instant Brands is not responsible for shipping costs related to warranty service. When returning your appliance, please include your name, mailing address, email address, phone number, and proof of the original purchase date as well as a description of the problem you are encountering with the appliance.

### Within the UK

Instant Brands (EMEA) Limited,  
1 Christchurch Way, Woking, Surrey,  
GU21 6JG, UK.

Email: [UKSupport@instantbrands.com](mailto:UKSupport@instantbrands.com)

Telephone: +44 (0) 3331 230051

### Within the EU

Instant Brands (Ireland) Limited,  
Suite 6, Rineanna House, Shannon Free  
Zone, Shannon, Co Clare, Ireland, V14 CA36.

Email: [EUSupport@instantbrands.com](mailto:EUSupport@instantbrands.com)

Telephone: +44 (0) 3331 230051

This warranty was last updated on 1 September 2019 for all products sold from [1 November 2019]. If your product comes with our older warranty version, your warranty will continue to be honoured. Recycling This appliance complies with the WEEE Directive 2012/19/EU on the disposal of electrical and electronic equipment (WEEE). This appliance complies with the European directive for electromagnetic compatibility (EMC) 2014/30/EU and its revisions, as well as Low Voltage Directive (LVD) 2014/35/EU and its revisions. This marking indicates that this product should not be disposed of with other household waste throughout the UK and EU. To prevent possible harm to the environment or human health from uncontrolled waste disposal, recycle it responsibly to promote the sustainable re-use of material sources. To return your used device, please use the return and collection systems or contact Customer Care for further recycling and WEEE information.



Instant Brands (EMEA) Limited  
1 Christchurch Way, Woking, Surrey,  
GU21 6JG, UK

Instant Brands (Ireland) Limited  
Suite 6, Rineanna House, Shannon Free  
Zone, Shannon, Co Clare,  
Ireland, V14 CA36

**[instantbrands.co.uk](https://instantbrands.co.uk)**

© 2022 Instant Brands LLC  
819-0323-01