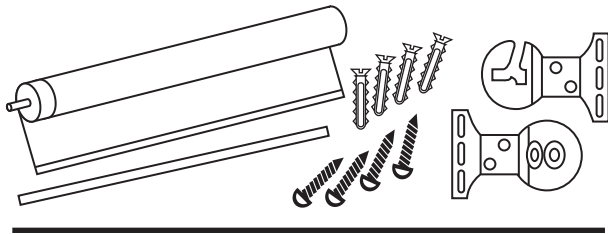
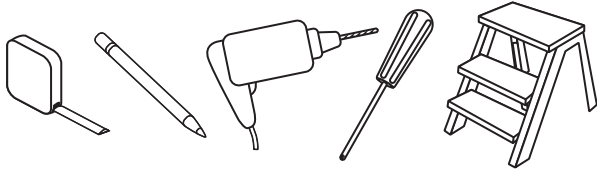


# INSTALLATION INSTRUCTIONS FOR ROLLER SHADES



Parts List	Quantity
Shade	1
Slat for Hem Pocket	1
Brackets	2
Mounting Screws	4
Plastic Anchors	4 (For Drywall or Plaster Mounting)



## Tools Required

Screwdriver, Tape measure, Step stool or Ladder, Pencil, Drill\*

\* Use 3/32" drill bit to predrill screw holes.

Use 1/4" drill bit for wall anchors.

### 1. Bracket Location & Installation

Your window shade can be installed either inside the window frame or outside the window frame or on the ceiling. When measuring and installing shades, make sure there is a "play" between the roller and the brackets. Shades mounted too tight in the brackets will not function properly. Attach brackets to inside or outside of casing or to the ceiling.

### 2. Mounting the Shade

**For Inside Mounting:** Allow 1/4" clearance between top of frame and fully rolled-up shade. This will provide enough clearance to lift shade into slotted bracket. Spring loaded tip provides up to 3/8" extra width if needed. Always insert the pin end into the right side bracket first. If the brackets are installed as illustrated (facing out), place the pin into the inner hole of the right bracket. If the brackets are installed facing down (like Ceiling Mount), place the pin into the outer hole of the right bracket. Push into bracket to compress the spring, then place the metal tab on the left side of the shade into the slot of the left bracket.

**For Outside Mounting / Ceiling Mount:** Hold shade to desired position, making sure it is level, and place pencil marks at each end of the roller. Secure brackets. Insert the round pin end into the inner hole of the right bracket. For ceiling mount, insert the pin into the outer hole. Then insert the other end of the shade into the slot of the left bracket.

**For reverse-roll shades (inside mount only!),** the slotted bracket goes on the right, and the open part of the bracket must face the window – the bracket should be mounted to the top of the window frame [see illustration].

### 3. Adjusting for Roller Tension

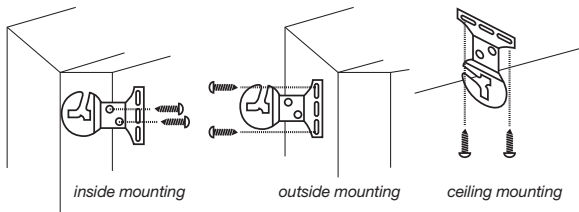
To tighten, lower the shade about 18 inches from the top, remove from window brackets. Roll up shade all the way to the top by hand, then replace in brackets.

To loosen, raise the shade to the top and remove from brackets. Unroll about 18 inches and replace in brackets. Repeat until there is a proper tension. Roller should not be too tight. Remember, when a window shade refuses to roll up, the spring is too loose. When it won't stay down, the roller spring is too tight.

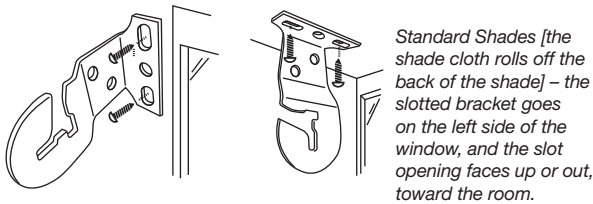
Caution: Overwinding may result in permanent damage.

### 4. How to Operate

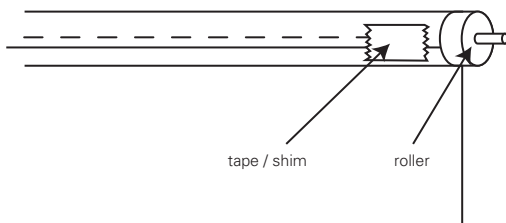
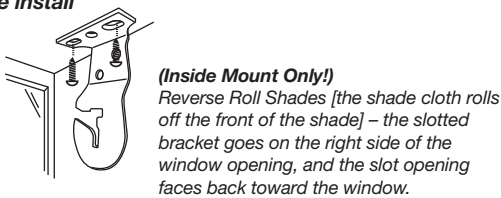
If this shade does not roll straight, correct as follows:



#### Standard install



#### Reverse install



Make sure brackets are mounted level, or the shade will not roll straight. If shade veers toward the right, correct by lowering shade completely and placing a piece of tape (multiple pieces may be necessary) as close to the left edge of the roller as possible. It will act as a shim.

If shade veers toward the left, correct by lowering shade completely and placing a piece of tape (multiple pieces may be necessary) as close to the right edge of the roller as possible. It will act as a shim.

### 5. Care

Cleans easily with a damp sponge or soft cloth. Allow the shade to hang it's full length for a minimum of 72 hours to minimize wrinkles and creases.

# INSTALLATION INSTRUCTIONS FOR ROLLER SHADES

## LIMITED LIFETIME WARRANTY

**Lifetime:** Entire product against manufacturing defects (i.e. a flaw in the product design, materials or workmanship that causes the product to no longer function).

**5 Years:** All fabric

**Not Covered:** Normal Wear and Tear. Any product that fails due to:

- abuse • exposure to salt air • improper installation • accident • extraordinary use • improper operation • alteration
- improper cleaning • misapplication • damage from pests/insects/pets
- improper handling • misuse

Costs associated with:

- product removal • transportation to and from the retailer • brand label removal • product re-measure • incidental or consequential damages • product reinstallation • shipping

### To Report Shipping Damage

If damage occurred during shipping, call place of purchase and report within 7 calendar days or else you may be denied credit for your damaged product.

### To Obtain Service

If you suspect that this Phase II product has a manufacturing defect in materials or workmanship:

1. Locate the sales receipt
2. Call place of purchase

Any unauthorized returns will not be accepted.

### Warranty Remedy

THIS SHALL BE YOUR SOLE REMEDY UNDER THIS LIMITED WARRANTY.

If this product is found to have a manufacturing defect in materials or workmanship, we will, at our discretion, do one of the following:

- repair the product
- replace the product
- refund the cost of the product

### Color

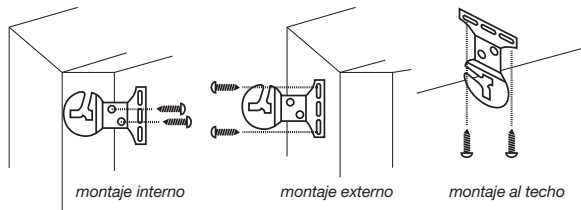
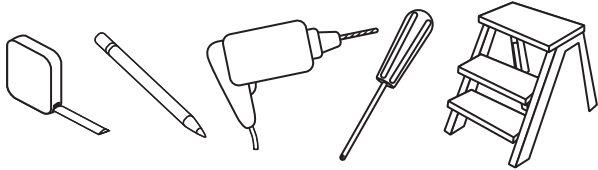
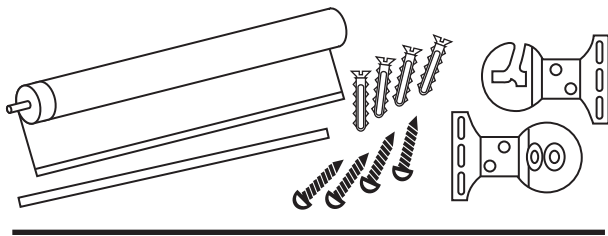
Colors vary from lot to lot and may not exactly match sample swatches or previous purchases. Discontinued items or color selections will be replaced with the closest equivalent current product.

### YOUR RIGHTS UNDER STATE LAW

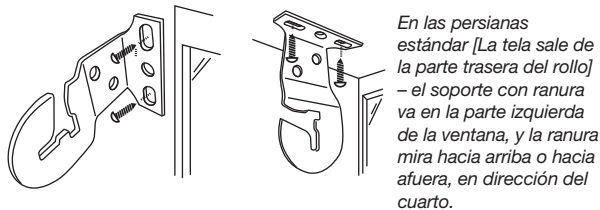
This lifetime limited warranty gives you specific legal rights, and you may have other rights, which vary from state to state. Some states do not allow limitations on how long a warranty lasts, so the above limitations may not apply to you.

No agent, representative, dealer or unauthorized employee has the authority to increase or alter the obligation of this warranty. This lifetime limited warranty supersedes any previous versions.

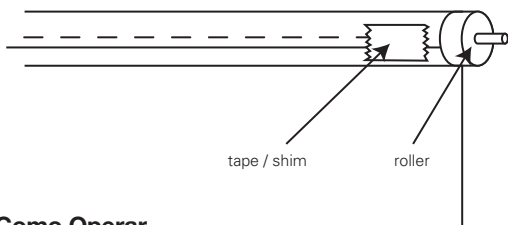
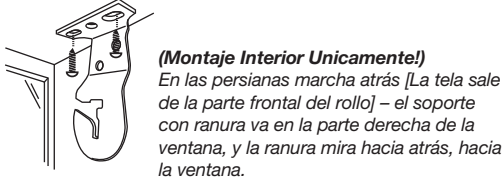
# INSTRUCCIONES DE INSTALACION PARA PERSIANA ENROLLADA



## Instalación estándar



## Instalación marcha atrás



## 4. Como Operar

Si la persiana no enrolla uniformemente, arrégla de la siguiente manera: Asegúrese que los soportes estén nivelados, de lo contrario, la persiana no subirá derecho. Si la persiana vira hacia la derecha, bájela completamente y ponga un pedazo de cinta tan cerca al extremo izquierdo como sea posible (tantas como necesite), esto actuará como cuña. Si la persiana vira hacia la izquierda, repita el proceso pero esta vez coloque cintas tan cerca al extremo derecho como sea posible (cuantas sean necesarias). Esto hará lo mismo, actuará como cuña.

## 5. Cuidado

Limpie con esponja o paño suave. Déjela suelta al menos 72 horas para minimizar arrugas y pliegues.

Lista de Partes	Cantidad
Persiana	1
Listón para el Doblado	1
Soportes	2
Tornillos de Montaje	4
Tarugos	4 (Para pared de yeso)

## 1. Ubicación e Instalación de Soportes

Su persiana puede instalarse ya sea dentro del marco de la ventana, por fuera de este en el techo. Cuando mida e instale persianas, asegúrese que hay “juego” entre el rodillo y los soportes. Las persianas que se instalan demasiado apretadas no funcionarán apropiadamente. Asegure los soportes dentro o fuera de la ventana o en el techo. El soporte con ranura va al lado izquierdo y el de hoyos va al lado derecho.

## 2. Montaje de la Persiana

**Para Montaje Interior:** Deje 1/4” entre la parte superior del marco y la persiana totalmente enrollada. Esto permitirá tener espacio suficiente para levantar y colocar la persiana en el soporte con ranura. La punta con resorte provee hasta 3/8” extra de ancho. Siempre inserte el extremo al soporte del lado derecho primero. Si los soportes se instalan como se ilustra (mirando hacia afuera), introduzca el perno en el orificio interior del soporte derecho. Si los soportes se instalan mirando hacia abajo (como sería en el montaje al techo), introduzca el perno en el orificio exterior del soporte derecho. Presiónelo al soporte para comprimir el resorte y luego introduzca la lengüeta del otro extremo en la ranura del soporte del lado izquierdo.

**Para Montaje Exterior o al Techo:** Mantenga la persiana en la posición deseada desenróllela que está nivelada, marque con un lápiz a cada extremo del rodillo. Asegure los soportes. Inserte la punta redonda del perno en el orificio interno del soporte derecho.

Para montaje al techo, inserte el perno en el orificio externo. Luego inserte el otro extremo de la persiana en el orificio del soporte de la izquierda.

## Para persiana de enrollado marcha-atrás (montaje interior únicamente!)

El soporte con ranura va a la derecha, y la parte abierta del soporte debe estar dirigido a la ventana – el soporte puede ubicarse al tope o al lado del marco de la ventana. [mire la ilustración].

## 3. Ajuste y Tensión del Rodillo

Para apretar, baje la persiana a aproximadamente 18 pulgadas del tope, remueva de los soportes. Desenróllela nuevamente a mano y colóquela en los soportes nuevamente. Para aflojar, suba la persiana hasta el tope, remuévala de los soportes, desenróllela a mano a aproximadamente 18 pulgadas y vuelva a ponerla en los soportes. Repita hasta que consiga una tensión adecuada. El Rodillo no deberá estar muy apretado. Recuerde, cuando la persiana se rehusa a subir es porque el resorte está muy flojo, cuando no se queda abajo es porque el resorte esta muy apretado.

Precaución: Exceso de enrollado podría resultar en daño permanente.

# INSTRUCCIONES DE INSTALACION PARA PERSIANA ENROLLADA

## GARANTIA DE POR VIDA LIMITADA

**De por Vida:** El producto en su totalidad mientras tenga defectos de fabricación (por ejemplo imperfecciones en el diseño materiales o mano de obra que cause que el producto no funcione en su propósito).

**5 Años:** La tela.

### Lo Que No Cubre:

Desgaste o deterioro normal.

Cualquier producto que falle debido a:

- Abuso • exposición aire con sal • instalación inapropiado • accidente • uso inapropiado • operación impropia
- alteraciones • limpieza impropia • aplicación errónea • daño por insectos nocivos • manejo inapropiado • uso inadecuado.

Costos asociados con:

- remoción del producto • transporte al almacén y desde el almacén • remoción de la etiqueta • re-mediación del producto • daños incidentales o consecuenciales • re-instalación del producto • despacho.

En el caso de haber múltiples cortinas/persianas en el mismo cuarto, únicamente la averiada será reemplazada.

### Para Reportar un Daño:

Si el daño ocurrió durante el despacho, llame al almacén y reporte el daño con siete (7) días calendario o sino podría negarse el crédito por el daño del producto.

### Para Obtener Servicio:

Si usted sospecha que este producto de tiene defectos de manufactura o materiales:

1. Ubique su recibo de compra
2. Llame al almacén

Cualquier retorno no autorizado no será aceptado.

Apelación a la Garantía:

ESTA SERA SU APELACION EXCLUSIVA BAJO ESTA GARANTIA LIMITADA.

Si se encuentra que este producto tiene defectos de materiales o manufactura, nosotros (a nuestra completa discreción) haremos alguna de las siguientes:

- reparar el producto • reemplazar el producto • reembolso del costo del producto.

Los colores varían de un lote de producción a otro y podrían no ser exactamente iguales a productos adquiridos anteriormente.

Productos o colores descontinuados se reemplazarán con el más cercano o equivalente al producto en cuestión.

## SUS DERECHOS BAJO LA LEY DEL ESTADO

Esta garantía limitada y de por vida le da derechos legales específicos y podrían también incluir otros derechos, que varían de estado a estado. Algunos estados no aceptan limitaciones en cuanto al tiempo de la garantía, así que las limitaciones arriba contempladas podrían no aplicarle a usted.

Ningún agente, representante, concesionario o empleado sin autorización tienen la autoridad de incrementar o alterar la obligación de esta garantía. Esta garantía limitada y de por vida sustituye cualquier versión anterior.

# Roller Shade – Deluxe Spring Motor

## LIMITED LIFETIME WARRANTY

The enclosed product is warranted to the original residential retail purchaser as long as the product remains in the original window.

- I. Covered:
  - Lifetime: Entire product against manufacturing defects (i.e. a flaw in the product design, materials, or workmanship that causes the product to no longer function).
  - 5 Years: All fabric
- II. Not Covered:
  - Normal Wear and Tear
  - Any product that fails due to: · abuse · exposure to salt air · improper installation · accident · extraordinary use · improper operation · alterations · improper cleaning · misapplication · damage from pests/insects/pets · improper handling · misuse
- III. Costs associated with: · product removal · transportation to and from the retailer · brand label removal · product re-measure · incidental or consequential damages · product re-installation · shipping
  - In the event there are multiple blinds/shades in the same room, only the defective blind/shade will be replaced.
- IV. To Report Shipping Damage: If damage occurred during shipping, call place of purchase and report within 7 calendar days or else you may be denied credit for your damaged product.
- V. To Obtain Service: If you suspect this product has a manufacturing defect in materials or workmanship:
  - Locate the sales receipt · Call place of purchase.
  - Any unauthorized returns will not be accepted.
- VI. Warranty Remedy:
 

**THIS SHALL BE YOUR SOLE REMEDY UNDER THIS LIMITED WARRANTY.**

If this product is found to have a manufacturing defect in materials or workmanship, we will (at our discretion) do one of the following:

  - repair the product · replace the product · refund the cost of the product

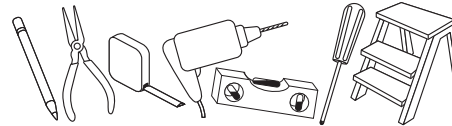
Colors vary from lot to lot and may not exactly match sample swatch or previous purchases.  
Discontinued items or color selections will be replaced with the closest equivalent current product.
- VII. YOUR RIGHTS UNDER STATE LAW:
 

This lifetime limited warranty gives you specific legal rights, and you may have other rights, which vary from state to state. Some states do not allow limitations on how long a warranty lasts, so the above limitations may not apply to you. No agent, representative, dealer, or unauthorized employee has the authority to increase or alter the obligation of this warranty. This lifetime limited warranty supersedes any previous versions.

## Tools Required:

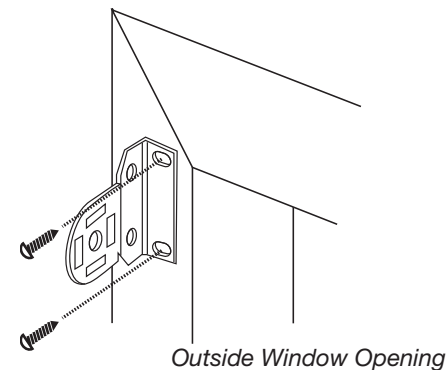
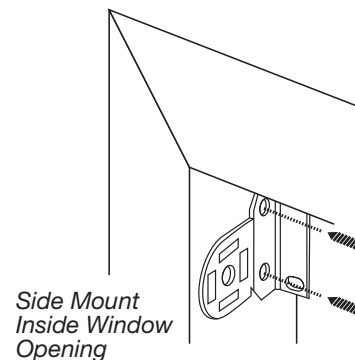
Tape measure, pencil, drill, drill bits, screw driver, step stool or ladder.

*Note: use a 5/64" drill bit to pre-drill the screw holes (for attachment to a wall stud or header board). Use Wall Anchors (not included) for hollow dry wall or plaster mounting.*

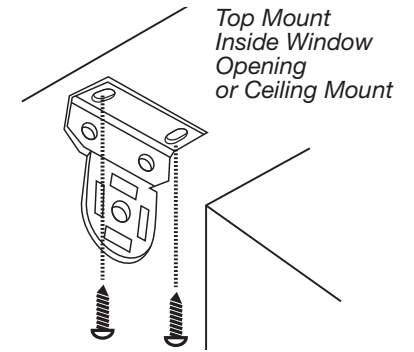


## Step 1. Mount the Brackets

The brackets can be face mounted, top mounted or side mounted – attach the brackets to the window frame, molding or ceiling as illustrated. The brackets are “universal” – there are no “right” and “left” brackets.

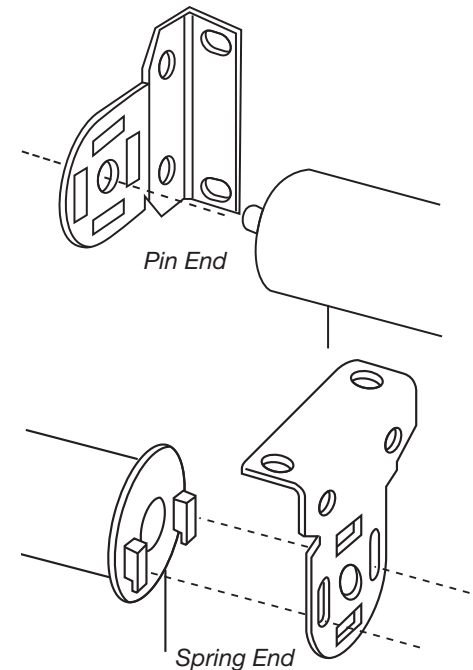


Mark the screw locations with a pencil – pre-drill the screw holes using a 5/64" drill bit.



## Step 2. Install the Shade

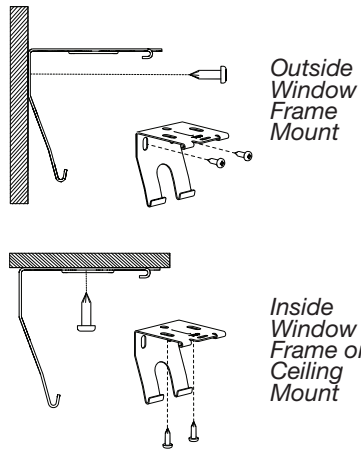
Put the spring loaded pin into the round hole of the bracket, push the spring loaded tip into the bracket, and then insert the hook arms on the opposite side of the shade into the two hook arm receiver holes of the bracket. Once the two hook arms are through the holes, gently pull down until the two hook arms have locked securely to the bracket.



**Step 2A. Cassette Installation (for shades with optional Cassette Valance)**

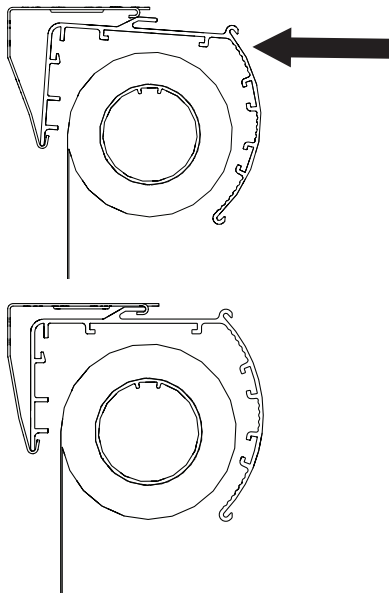
The shade is pre-mounted in the cassette. It can be removed to adjust tension, if necessary.

To attach the cassette outside the window frame, use the rear bracket holes as illustrated.

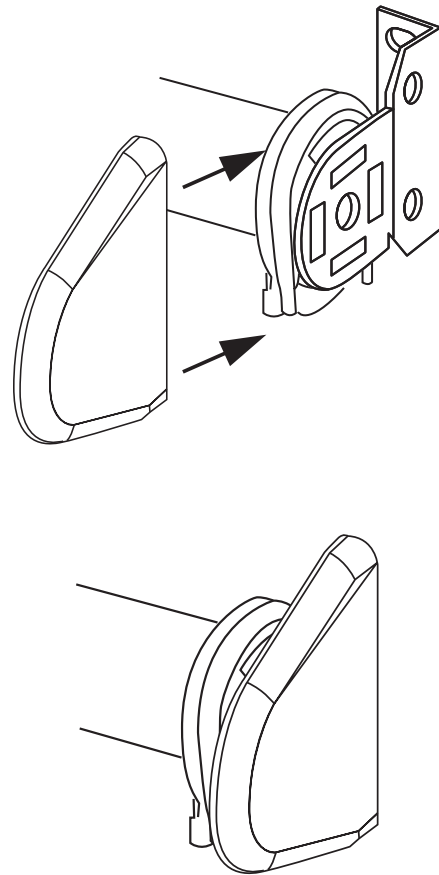


To attach the Cassette inside the window frame (or to the ceiling), use the top bracket holes as illustrated.

Attach the Cassette by placing the back-bottom of the head rail into the bottom of each mounting bracket. Push forward and up, snapping the rail into the top of the mounting bracket.



**Step 3. Install the Bracket Covers – For Outside Mount Shades Only!**  
Bracket covers slide onto the brackets as shown until they snap into position.



**Step 4. Operating the Shade**

**Raise the Shade:** Grip the center of the bottom hem (do not release your grip until you have set the shade at the desired height) – pull the shade away from the window sill, if necessary – pull straight down to release the spring motor that controls the movement of the shade – allow it to rise to any desired point, then pull downward gently to stop/set the shade.

**Lower the Shade:** Pull straight down and stop/set the shade as described above.

**Step 5. Adjust Spring Tension**

This shade has a reliable long-lasting

Spring Motor. The Spring Motor must have proper tension in order to function as intended. Handling in transit can affect spring tension. Therefore, please give special attention to the instructions below to optimize the performance of your shade.

Spring Tension should be adjusted to assure best performance and to suit personal preference. The tension on the spring should be neither too loose nor too tight. When a window shade refuses to roll up, the spring is too loose. When it won't stay down the roller spring is too tight.

**To Increase Tension:** lower the shade about 18 inches from the top, and then remove it from the brackets. Roll-Up the shade all the way to the top by hand, and then place the shade back into the brackets as described in Step 2. Repeat as often as necessary to achieve desired tension.

**Caution:** over-winding may result in permanent damage to the spring motor.

**To Decrease Tension:** remove the shade from the brackets, and then unroll about 18 inches of shade material, and then place the shade back into the brackets as described in Step 2. Repeat as often as necessary to achieve desired tension.

**Cleaning the Shades**

Dusting: Vacuum using the soft brush attachment. Washing: Use a cloth, sponge or soft brush and a mild detergent. Use warm or cold water, not hot water. Place toweling on the floor or window sill and wash the blind in sections.

**REPLACEMENT PARTS**

In the event that replacement parts are ever needed, you may call: 1-800-264-1190.

Please be sure to provide the following information, if possible:

- The complete model or catalog number of your product
- A description of the product
- A description of the part needed

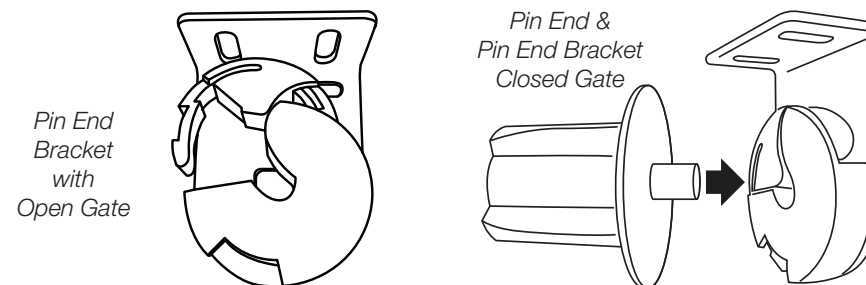
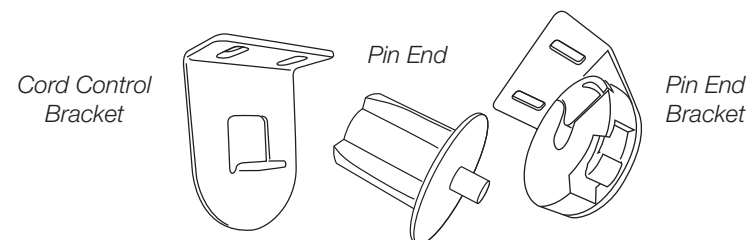
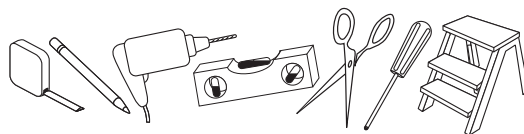
# Installation Instructions for Roller Shade with Continuous Chain Operation

Part No. MEIN0217 Rev. 2 **ENG**

## Tools Required:

Tape measure, pencil, drill, drill bits, screw driver, scissors, step stool.

Note: use a 5/64" drill bit to pre-drill the screw holes (for attachment to a wall stud or header board). Use a 1/4" drill bit for plastic anchors (for hollow dry wall or plaster mounting).



the shade to slide into the bracket (see illustration).

Mark the screw locations with a pencil – pre-drill the screw holes using a 5/64" drill bit. If mounting to hollow drywall, use the wall anchors provided – pre-drill the holes with a 1/4" drill bit.

## Step 2. Mounting the Shade

Important – do not remove the Twist-Tie from the Cord Control & Chain until the shade has been attached to the brackets.

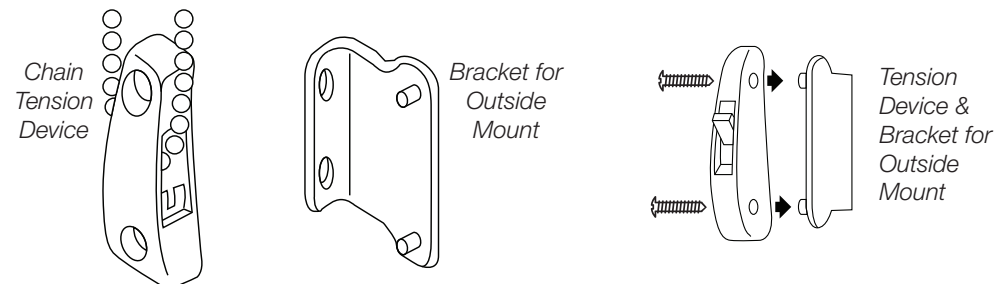
Push the cord control mechanism onto the bracket post such that the cord hangs straight down.

Open the gate on the pin end bracket by pushing on the tab (see illustration). Slide the pin end of the shade into the bracket such that it rests in the center recess. Close the gate making sure that it snaps shut.

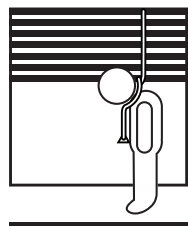
## Step 3. Attach the Tension Device

The Tension Device must be attached per these instructions in order for your shade to function properly. Carefully unwrap the control cord/chain and tension device. Cut and remove the zip-tie.

While holding the tension device in one hand, pull the plunger away from the bead chain with the other hand. Lift the bead chain out of the bead locking groove and slide the tension device to the bottom



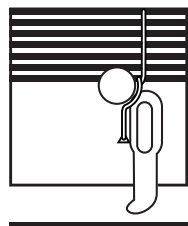
## ⚠ WARNING



### Window Blind Cord Can STRANGLE Your Child

- Children can climb furniture to reach cords.
- Move crib and furniture away.
- Keep all cords out of children's reach.
- Attach tension device to wall or floor.
- Fasteners provided with tension device may not be appropriate for all mounting surfaces.
- Use appropriate anchors for the mounting surface conditions.

## ⚠ ADVERTENCIA



### La cuerda ciega del a ventana puede ESTRANGULAR su niño

- Los niños pueden subir los muebles para alcanzar las cuerdas.
- Mueva la cuna y los muebles.
- mantenga todas las cuerdas fuera del alcance de los niños.
- Conecte el dispositivo de tensión a la pared o suelo.
- Los sujetadores provistos con el dispositivo de tensión pueden no ser apropiados para todas las superficies de montaje.
- Utilice anclajes apropiados para las condiciones de la superficie de montaje.

## Step 1. Mount the Brackets

Attach the brackets to the window frame, molding or ceiling. For Inside Mount, the base of each bracket must face upward (the brackets cannot be side mounted). The bracket for the cord control end of the shade has a post that fits into the end of the cord mechanism (see illustration).

The other bracket is for the pin end of the shade. This bracket has a locking gate that opens to allow the pin end of

# Installation Instructions for Roller Shade with Continuous Chain Operation

of the chain loop. Pull the tension device down until the bead chain is fully tensioned (plunger will be at the top) and then move the tension device up approximately 1/8". Mark the screw locations on the wall or window frame with a pencil.

**Inside Mount:** If mounting into wood, predrill screw holes and then install the tension device using the 1" Phillips head screws provided.

If not securing into wood, use appropriate anchors for the substrate and follow the anchor manufacturer's instructions.

**Outside Mount:** Align the mounting bracket screw holes with the pencil marks. If mounting into wood, predrill screw holes and then install the mounting bracket using the 1" Phillips head screws provided.

If not securing into wood, use appropriate anchors for the substrate and follow manufacturer's instructions.

Press the tension device onto the mounting bracket posts. Carefully install the 3/8" Phillips head screws provided, through the tension device into the mounting bracket using a Phillips head screwdriver.

## DO NOT OVER-TIGHTEN!

### Step 4. Operating the Shade

Pulling the cord smoothly and slowly in one direction raises the shade; pulling it in the other direction lowers it. On shades where the fabric rolls against the window, the front cord lifts the shade.

On shades where the fabric rolls toward the room, the rear cord lifts the shade.

### Cleaning the Shades

Vacuum using the soft brush attachment.

### REPLACEMENT PARTS

In the event that replacement parts are ever needed, you may call: 1-800-264-1190 Please be sure to provide the following information, if possible:

- The complete model or catalog number of your product
- A description of the product
- A description of the part needed.

### LIMITED LIFETIME WARRANTY

The enclosed product is warranted to the original residential retail purchaser as long as the product remains in the original window.

#### Covered

**Lifetime:** Entire product against manufacturing defects (i.e. a flaw in the product design, materials, or workmanship that causes the product to no longer function.

**3 Years:** Cords, including internal cords such as those found in cordless blinds or shades.

**5 Years:** All fabric

#### Not Covered

1. Normal wear and Tear
2. Any product that fails due to:
  - Abuse
  - Alterations
  - Exposure to salt air
  - Improper cleaning

- Improper installation
- Misapplication
- Accident
- Damage from pests/insects/pets
- Extraordinary use
- Improper handling
- Improper operation
- Misuse

#### 3. Natural Wood Products that have:

- Loss of color intensity
- Variations in color, grain or texture
- Warping of wood slats in high humidity areas

#### 4. Costs associated with:

- Product removal
- Transportation to and from the retailer
- Brand label removal
- Product re-measure
- Product reinstallation
- Shipping
- Incidental or consequential damages

In the event there are multiple blinds/shades in the same room, only the defective blind/shade will be replaced

#### To Report Shipping Damage:

If damage occurred during shipping, call the place of purchase and report within 7 calendar days, or you may be denied credit for your damaged product.

#### To Obtain Service:

If you suspect this product has a manufacturing defect in materials or workmanship:

- Locate the sales receipt
- Call place of purchase

Any unauthorized returns will not be accepted.

#### Warranty Remedy:

This shall be your sole remedy under this limited warranty.

If this product is found to have a manufacturing defect in materials or workmanship, we will, at our discretion, do one of the following:

- Repair the product
- Replace the product
- Refund the cost of the product

Colors may vary from lot to lot and may not exactly match sample swatches or previous purchases. Discontinued items or color selections will be replaced with the closest equivalent current product.

**Your rights under state law:** This lifetime limited warranty gives you specific legal rights, and you may have other rights which vary from state to state. Some states do not allow limitations on how long a warranty lasts, so the above limitations may not apply to you. No agent, representative, dealer or unauthorized employee has the authority to increase or alter the obligation of this warranty. This lifetime limited warranty supersedes any previous versions.



# Installation Instructions for Roller Shade with Continuous Chain Operation

Part No. MEIN0221 Rev. 2 **ENG**

## Tools Required:

Tape measure, pencil, drill, drill bits, screw driver, step stool or ladder.

*Note: use a 5/64" drill bit to pre-drill the screw holes (for attachment to a wall stud or header board). Use Wall Anchors (not included) for hollow dry wall or plaster mounting.*

## Step 1. Mount the Brackets

attach the brackets to the window frame, molding or ceiling as shown. The brackets are "universal" – there are no "right" and "left" brackets. Mark the screw locations with a pencil – pre-drill the screw holes using a 5/64" drill bit.

## Step 2. Install the Shade

Put the spring loaded pin into the round hole of the bracket, push the spring loaded tip into the bracket, and then insert the hook arms on the opposite side of the shade into the two hook arm receiver holes of the bracket. Once the two hook arms are through the holes, gently pull down until the two hook arms have locked securely to the bracket. For cord control shades, the bottom of the clutch should always point straight down.

## Step 3. Install the Bracket Covers

– For Outside Mount Shades Only!

Bracket covers slide onto the brackets as shown until they snap into position.

## Step 4. Cassette Installation

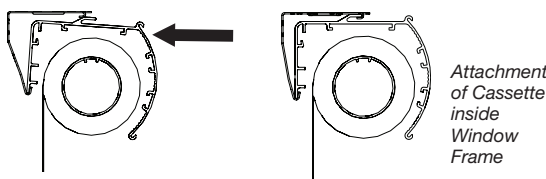
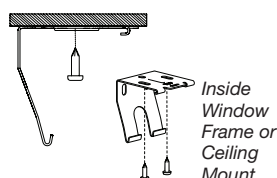
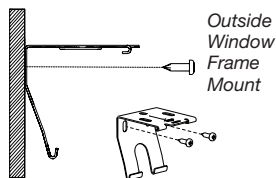
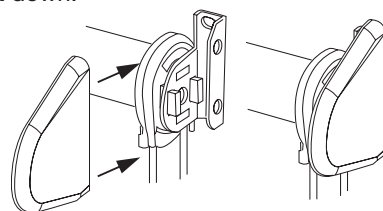
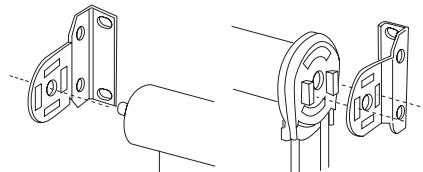
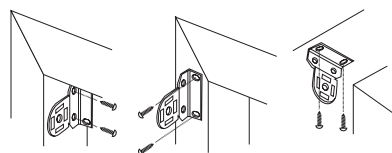
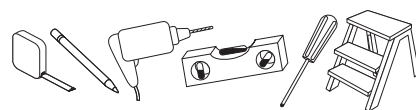
(for shades with optional Cassette Valance)

The shade is pre-mounted in the cassette. It can be removed to adjust tension, if necessary.

To attach the cassette outside the window frame, use the rear bracket holes as illustrated.

To attach the Cassette inside the window frame (or to the ceiling), use the top bracket holes as illustrated.

Attach the Cassette by placing the back-bottom of the head rail into the bottom of each mounting bracket. Push forward and up, snapping the rail into the top of the mounting bracket.



## Step 5. Install the Chain Tension Device

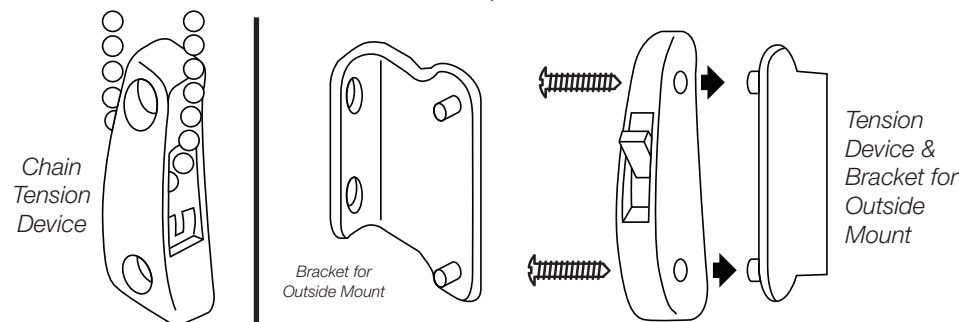
The tension device must be installed to make sure the shade is fully operable.

Before doing anything, you must first slide the tension device to the bottom of the bead chain.

While holding the tension device in one hand, pull the plunger away from the bead chain with the other hand. Lift the bead chain out of the bead locking groove and slide the tension device to the bottom of the chain loop.

Pull the tension device down until the bead chain is fully tensioned (plunger will be at the top) and then move the tension device up approximately 1/8".

Mark the screw hole locations on the wall with a pencil.



**Inside Mount:** if mounting into wood, pre-drill screw holes and then install the tension device using the 1/4" Phillips head screws provided.

If not securing into wood, use appropriate anchors for the substrate and follow anchor manufacturer's instructions.

**Outside Mount:** Align the mounting bracket screw holes with the pencil marks.

If mounting into wood, pre-drill screw holes and then install the mounting bracket using the 1/4" Phillips head screws provided.

If not securing into wood, use appropriate anchors for the substrate and follow manufacturer's instructions.

Press the tension device onto the mounting bracket posts. Carefully attach the Tension Device to the bracket using the 3/8" Phillips head screws provided. **DO NOT OVER-TIGHTEN.**

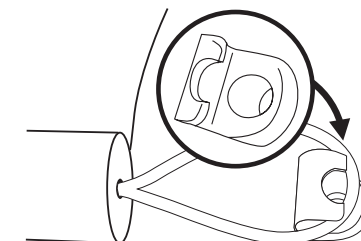
## Step 6. Operating the Shade

Pulling gently on the cord in one direction raises the shade; pulling it in the other direction lowers it.

On shades where the fabric rolls against the window, the front cord lifts the shade. On shades where the fabric rolls toward the room, the rear cord lifts the shade.

## Step 7. Hold Down Brackets for Outdoor Shades

The elastic straps on each side of the bottom rail loop onto the open 'C' section of the hold down brackets as illustrated. Attach the hold down brackets to a wall, post or other solid surface. Use 1" screws (or screws and anchors) to attach the brackets. Put tension on the straps by stretching them when positioning the brackets



# Installation Instructions for Roller Shade with Continuous Chain Operation

## Cleaning the Shades

Dusting: Vacuum using the soft brush attachment. Washing: Use a cloth, sponge or soft brush and a mild detergent. Use warm or cold water, not hot water. Place towel on the floor or window sill and wash the blind in sections.

## REPLACEMENT PARTS

In the event that replacement parts are ever needed, you may call: 1-800-264-1190.

Please be sure to provide the following information, if possible:

- The complete model or catalog number of your product
- A description of the product
- A description of the part needed

## LIMITED LIFETIME WARRANTY

The enclosed product is warranted to the original residential retail purchaser as long as the product remains in the original window.

### Covered

**Lifetime:** Entire product against manufacturing defects (i.e. a flaw in the product design, materials, or workmanship that causes the product to no longer function).

**3 Years:** Cords, including internal cords such as those found in cordless blinds or shades.

**5 Years:** All fabric

### Not Covered

1. Normal wear and Tear
2. Any product that fails due to:
  - Abuse
  - Alterations
  - Exposure to salt air
  - Improper cleaning
  - Improper installation
  - Misapplication
  - Accident
  - Damage from pests/insects/pets
  - Extraordinary use
  - Improper handling
  - Improper operation
  - Misuse
3. Natural Wood Products that have:
  - Loss of color intensity
  - Variations in color, grain or texture
  - Warping of wood slats in high humidity areas
4. Costs associated with
  - Product re-measure
  - Product reinstallation
  - Shipping
  - Incidental or consequential damages

In the event there are multiple blinds/shades in the same room, only the defective blind/shade will be replaced

### To Report Shipping Damage:

If damage occurred during shipping, call the place of purchase and report within 7 calendar days, or you may be denied credit for your damaged product.

### To Obtain Service:

If you suspect this product has a manufacturing defect in materials or workmanship:

- Locate the sales receipt
  - Call place of purchase
- Any unauthorized returns will not be accepted.

### Warranty Remedy:

This shall be your sole remedy under this limited warranty.

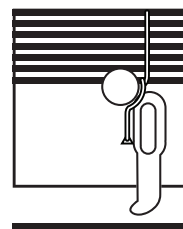
If this product is found to have a manufacturing defect in materials or workmanship, we will, at our discretion, do one of the following:

- Repair the product
- Replace the product
- Refund the cost of the product

Colors may vary from lot to lot and may not exactly match sample swatches or previous purchases. Discontinued items or color selections will be replaced with the closest equivalent current product.

**Your rights under state law:** This lifetime limited warranty gives you specific legal rights, and you may have other rights which vary from state to state. Some states do not allow limitations on how long a warranty lasts, so the above limitations may not apply to you. No agent, representative, dealer or unauthorized employee has the authority to increase or alter the obligation of this warranty. This lifetime limited warranty supersedes any previous versions.

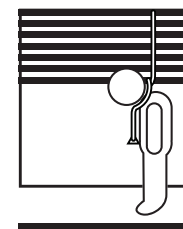
## ! WARNING



Window Blind Cord Can **STRANGLE** Your Child

- Children can climb furniture to reach cords.
- Move crib and furniture away.
- Keep all cords out of children's reach.
- Attach tension device to wall or floor.
- Fasteners provided with tension device may not be appropriate for all mounting surfaces.
- Use appropriate anchors for the mounting surface conditions.

## ! ADVERTENCIA



La cuerda ciega del a ventana puede **ESTRANGULAR** su niño

- Los niños pueden subir los muebles para alcanzar las cuerdas.
- Mueva la cuna y los muebles.
- mantenga todas las cuerdas fuera del alcance de los niños.
- Conecte el dispositivo de tensión a la pared o suelo.
- Los sujetadores provistos con el dispositivo de tensión pueden no ser apropiados para todas las superficies de montaje.
- Utilice anclajes apropiados para las condiciones de la superficie de montaje.

# Motorized Roller Shades Installation Instructions

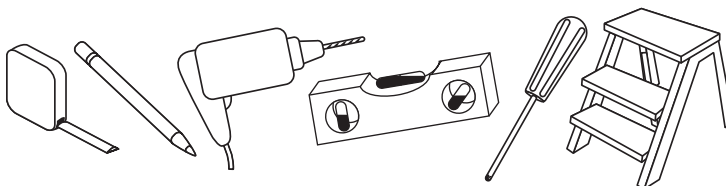
Part No. MEIN0244 Rev. 1 ENG

## INSTALLATION INSTRUCTIONS

INSTALL THE SHADE BEFORE ATTEMPTING TO OPERATE THE MOTOR.

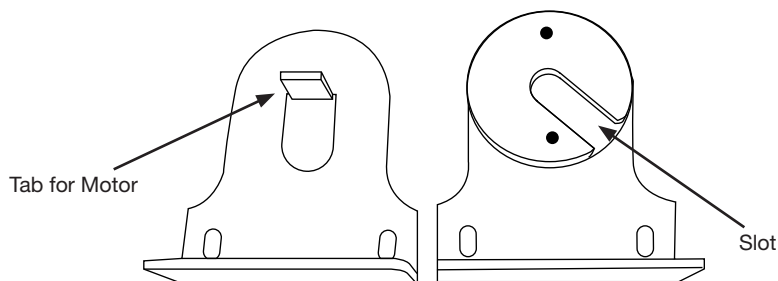
### Tools Required:

Tape measure, pencil, drill, drill bits, screw driver, step stool or ladder.

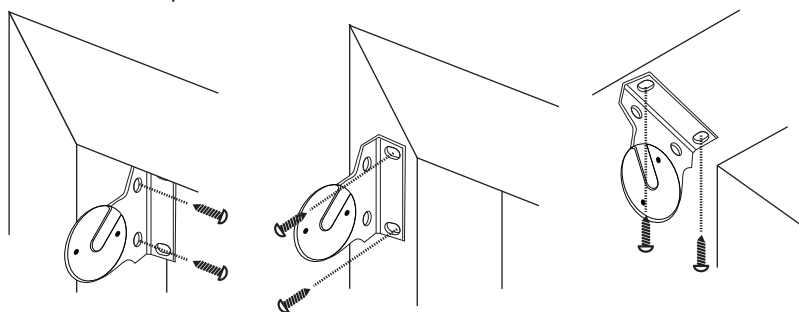


*Note: use a 5/64" drill bit to pre-drill the screw holes (for attachment to a wall stud or header board). Use Wall Anchors (not included) for hollow dry wall or plaster mounting.*

**Step 1. Mount the Brackets** *[Note: If your shade has a Cassette Valance (the shade is pre-mounted in a decorative aluminum cover) locate the special instructions for installing the Cassette]*  
Attach the brackets to the window frame, molding or ceiling as shown.



Note that the bracket for the motor end of the shade has a tab that fits into the motor housing. The Pin-End Bracket has a slot that the pin end slides into.



Mark the screw locations with a pencil – pre-drill the screw holes using a 5/64" drill bit.

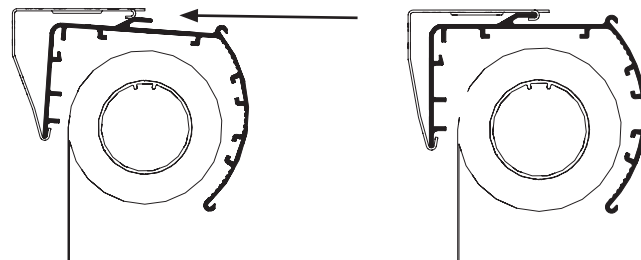
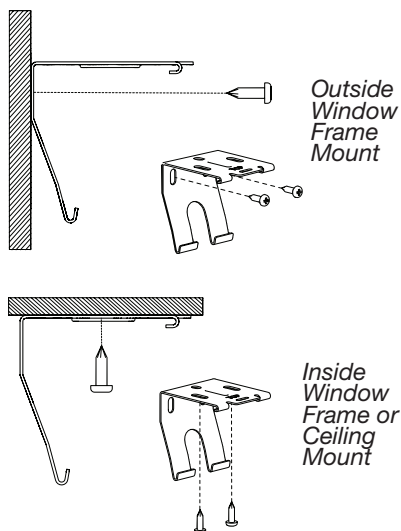
### Step 2A. Cassette Installation (for shades with optional Cassette Valance)

The shade is pre-mounted in the cassette. It can be removed to adjust tension, if necessary.

To attach the cassette outside the window frame, use the rear bracket holes as illustrated.

To attach the Cassette inside the window frame (or to the ceiling), use the top bracket holes as illustrated.

Attach the Cassette by placing the back-bottom of the head rail into the bottom of each mounting bracket. Push forward and up, snapping the rail into the top of the mounting bracket.



*Snap Headrail into place by sliding groove in back of headrail into the bottom of the mounting bracket. Push forward and up, snapping the headrail into the top of the mounting bracket.*

## Operating the Shade

### **IMPORTANT**

See the dedicated programming and operating instructions that came with the shade.  
If you cannot locate these instructions, please call Customer Service.

**CUSTOMER SERVICE: 1-800-264-1190**

### **Cleaning**

Dusting: Vacuum using the soft brush attachment.

Washing (applies to vinyl or vinyl coated shade material): Use a cloth, sponge or soft brush and a mild detergent. Use warm or cold water, not hot water. Place toweling on the floor or window sill and wash the blind in sections.

### **REPLACEMENT PARTS**

In the event that replacement parts are ever needed, you may call: 1-800-264-1190

Please be sure to provide the following information, if possible:

- The complete model or catalog number of your product
- A description of the product
- A description of the part needed

### **LIMITED LIFETIME WARRANTY**

The enclosed product is warranted to the original residential retail purchaser as long as the product remains in the original window.

#### **Covered**

**Lifetime:** Entire product against manufacturing defects (i.e. a flaw in the product design, materials, or workmanship that causes the product to no longer function).

**3 Years:** Cords, including internal cords such as those found in cordless blinds or shades.

**5 Years:** All fabric

**3 Years:** Battery Operated Motors

#### **Not Covered**

##### **1. Normal wear and Tear**

##### **2. Any product that fails due to:**

- Abuse • Alterations • Exposure to salt air • Improper cleaning • Improper installation • Misapplication
- Accident • Damage from pests/insects/pets • Extraordinary use • Improper handling
- Improper operation • Misuse

##### **3. Natural Wood Products that have:**

- Loss of color intensity • Variations in color, grain or texture
- Warping of wood slats in high humidity areas

##### **4. Costs associated with:**

- Product removal • Transportation to and from the retailer • Brand label removal • Product re-measure
- Product reinstallation • Shipping • Incidental or consequential damages

In the event there are multiple blinds/shades in the same room, only the defective blind/shade will be replaced

#### **To Report Shipping Damage:**

If damage occurred during shipping, call the place of purchase and report within 7 calendar days, or you may be denied credit for your damaged product.

#### **To Obtain Service:**

If you suspect this product has a manufacturing defect in materials or workmanship:

- Locate the sales receipt
- Call place of purchase

Any unauthorized returns will not be accepted.

#### **Warranty Remedy:**

This shall be your sole remedy under this limited warranty.

If this product is found to have a manufacturing defect in materials or workmanship, we will, at our discretion, do one of the following:

- Repair the product
- Replace the product
- Refund the cost of the product

Colors may vary from lot to lot and may not exactly match sample swatches or previous purchases.

Discontinued items or color selections will be replaced with the closest equivalent current product.

Your rights under state law: This lifetime limited warranty gives you specific legal rights, and you may have other rights which vary from state to state. Some states do not allow limitations on how long a warranty lasts, so the above limitations may not apply to you. No agent, representative, dealer This lifetime limited warranty supersedes any previous versions