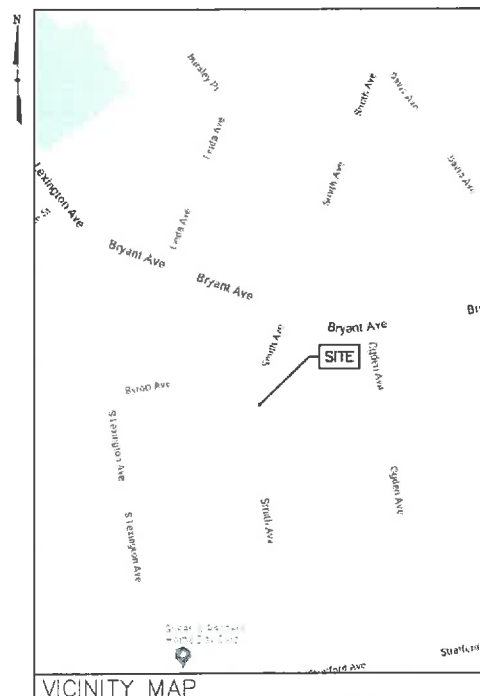




WST_WHP_N035-1A

FUZE #: 16559008
LOCATION CODE: 691793
UTILITY POLE #: S/L1506 NYT1/VZ1



SITE ADDRESS: ADJ TO 49 SMITH AVE
 WHITE PLAINS, NY 10605
MUNICIPALITY: CITY OF WHITE PLAINS
COUNTY: WESTCHESTER
ROW JURISDICTION: CITY OF WHITE PLAINS
STRUCTURE COORDINATES: N 41' .1" 6.56" (41.018481)
 W 73' 46" 2.88" (-73.767469)
GROUND ELEVATION: 274'± AMSL
POWER COMPANY: CONSOLIDATED EDISON
POLE #: S/L1506 NYT1/VZ1
POLE OWNER: CONSOLIDATED EDISON/VERIZON
APPLICANT: VERIZON WIRELESS
 4 CENTEROCK ROAD
 WEST NYACK, NY 10994
CONTACT PERSON: TODD PASZKIEWICZ
CONTACT PHONE: (914) 715-8835

PROJECT SUMMARY

PROJECT DESCRIPTION

- THE PROPOSED WORK CONSISTS OF:
- INSTALL (3) CELLULAR ANTENNA & ASSOCIATED EQUIPMENT ON EXISTING POLE.
 - INSTALL ELECTRICAL, TELCO AND CABLE ROUTING AS NECESSARY.
 - REPLACE IN KIND ANY EXISTING MATERIALS DISTURBED DUE TO THE INSTALLATION OF THE EQUIPMENT AND GROUND RODS WITH CONDUCTORS.

SHT. NO.	DESCRIPTION	REV NO	REVISION DATE
T-1	TITLE SHEET	1	03/10/23
GN-1	GENERAL NOTES	1	03/10/23
C-1	SITE PLAN & RF TABLE	1	03/10/23
C-2	EXISTING & PROPOSED ELEVATIONS	1	03/10/23
C-3	DETAILS	1	03/10/23
C-4	DETAILS	1	03/10/23
E-1	ELECTRICAL & GROUNDING DIAGRAMS & DETAILS	1	03/10/23

SHEET INDEX

THIS SET OF PLANS SHALL NOT BE UTILIZED AS CONSTRUCTION DOCUMENTS UNTIL ALL ITEMS OF CONCERN HAVE BEEN ADDRESSED AND EACH OF THE DRAWINGS HAS BEEN REVISED AND ISSUED "FOR CONSTRUCTION".



POLE ELEVATION

ENGINEER: TECTONIC ENGINEERING CONSULTANTS,
 GEOLOGISTS & LAND SURVEYORS, O.P.C.
 36 BRITISH AMERICAN BLVD
 SUITE 101
 LATHAM, NY 12110
 ATTN: STEVE MATTHEWS
 SMATTHEWS@TECTONICENGINEERING.COM
SITE ACQUISITION: SQUAN
 193 VETERANS BLVD
 CARLSTADT, NJ 07072
 ATTN: DAVE VALLARIO
 DVALLARIO@SQUAN.COM
REAL ESTATE PROJECT MANAGER: VERIZON WIRELESS
 4 CENTEROCK ROAD
 WEST NYACK, NY 10994
 ATTN: TODD PASZKIEWICZ
 TODD.PASZKIEWICZ@VERIZONWIRELESS.COM
CONSTRUCTION MANAGER: VERIZON WIRELESS
 4 CENTEROCK ROAD
 WEST NYACK, NY 10994
 ATTN: TOBIAS R. MUGGE
 TOBIAS.MUGGE@VERIZONWIRELESS.COM
RF MANAGER: VERIZON WIRELESS
 4 CENTEROCK ROAD
 WEST NYACK, NY 10994
 ATTN: FRANK BAEZ
 FRANCISCO.BAEZ@VERIZONWIRELESS.COM

PROJECT DIRECTORY

Before You Dig, Drill Or Blast!

Dig Safely. New York

UNDERGROUND FACILITIES PROTECTIVE ORGANIZATION

CALL US TOLL FREE 1-800-942-7962

NY and other state rule 783 requires no less than 90 working days notice, but not more than 90 days notice

DIG SAFELY — NEW YORK

DO NOT SCALE DRAWINGS

THESE DRAWINGS ARE FORMATTED FOR 22"x34" FULL SIZE AND 11"x17" HALF SIZE. OTHER SIZED VERSIONS ARE NOT PRINTED TO THE SCALE SHOWN. CONTRACTOR SHALL VERIFY ALL PLANS, EXISTING DIMENSIONS & CONDITIONS ON THE JOB SITE & SHALL IMMEDIATELY NOTIFY THE ENGINEER IN WRITING OF ANY DISCREPANCIES BEFORE PROCEEDING WITH THE WORK OR BE RESPONSIBLE FOR SAME.



4 CENTEROCK RD
WEST NYACK, NY 10994

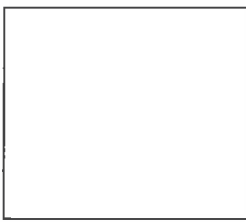


TECTONIC ENGINEERING CONSULTANTS,
GEOLOGISTS & LAND SURVEYORS, O.P.C.
36 BRITISH AMERICAN BLVD
SUITE 101
LATHAM, NY 12110
PHONE: (518) 783-1820
(505) 847-8331
WWW.TECTONICENGINEERING.COM

WO NUMBER	DRAWN BY	REVIEWED BY
11142.178	JF	LP

NO.	DATE	ISSUE
0	5/14/22	FOR CONSTRUCTION
1	03/10/23	PER COMMENTS

RELEASED BY: _____ DATE: _____



UNAUTHORIZED ALTERATION OR ADDITION TO A PLAN BEARING THE SEAL OF A LICENSED ENGINEER OR LAND SURVEYOR IS A VIOLATION OF SECTION 7209 SUBSECTION 2 OF THE NEW YORK STATE EDUCATION LAW.
COPIES OF THIS DOCUMENT WITHOUT A PHYSIBLE SEAL OR ORIGINAL STAMP IN BLUE OR RED INK OF THE PROFESSIONAL ENGINEER OR LAND SURVEYOR SHALL NOT BE CONSIDERED VALID COPIES.

0 1
ORIGINAL SIZE IN INCHES (22x34 FORMAT)

0 1
ORIGINAL SIZE IN INCHES (11x17 FORMAT)

SITE INFORMATION

WST_WHP_N035-1A
FUZE ID: 16559008
LC: 691793
UTILITY POLE# S/L1506 NYT1/VZ1

SITE ADDRESS

49 SMITH AVE
 POLE ON SMITH AVE
 CITY OF WHITE PLAINS
 WESTCHESTER COUNTY
 NY 10605

SHEET TITLE

TITLE SHEET

SHEET NUMBER

T-1

ELECTRICAL NOTES

- ALL ELECTRICAL WORK SHALL BE PERFORMED IN ACCORDANCE WITH THE PROJECT SPECIFICATIONS, NEC AND ALL APPLICABLE LOCAL CODES.
- ALL ELECTRICAL EQUIPMENT AND ACCESSORIES SHALL BE U.L. APPROVED OR LISTED.
- CONDUIT ROUTINGS ARE SCHEMATIC. CONTRACTOR SHALL INSTALL CONDUITS SO THAT ACCESS TO EQUIPMENT IS NOT BLOCKED.
- WIRING, RACEWAY AND SUPPORT METHODS AND MATERIALS SHALL COMPLY WITH THE REQUIREMENTS OF THE NEC.
- ALL CIRCUITS SHALL BE SEGREGATED AND MAINTAIN MINIMUM CABLE SEPARATION AS REQUIRED BY THE NEC.
- EACH END OF EVERY POWER, POWER PHASE CONDUCTOR (I.E., HOTS), GROUNDING, AND TN CONDUCTOR AND CABLE SHALL BE LABELED WITH COLOR-CODED INSULATION OR ELECTRICAL TAPE (3M BRAND, 1/2 INCH PLASTIC ELECTRICAL TAPE WITH UV PROTECTION, OR EQUAL). THE IDENTIFICATION METHOD SHALL CONFORM WITH NEC & OSHA.
- ALL ELECTRICAL COMPONENTS SHALL BE CLEARLY LABELED. ALL EQUIPMENT SHALL BE LABELED WITH THEIR VOLTAGE RATING, POWER OR AMPACITY RATING, AND BRANCH CIRCUIT ID NUMBERS (I.E., PANELBOARD AND CIRCUIT ID'S).
- PANELBOARDS (ID NUMBERS) AND INTERNAL CIRCUIT BREAKERS (CIRCUIT ID NUMBERS) SHALL BE CLEARLY LABELED.
- POWER, CONTROL, AND EQUIPMENT GROUND WIRING IN TUBING OR CONDUIT SHALL BE SINGLE CONDUCTOR (#14 AWG OR LARGER), 600 V, OIL RESISTANT THHN OR THWN-2, STRANDED COPPER CABLE RATED FOR 90°C (WET AND DRY) OPERATION; LISTED OR LABELED FOR THE LOCATION AND RACEWAY SYSTEM USED, UNLESS OTHERWISE SPECIFIED.
- POWER AND CONTROL WIRING, NOT IN TUBING OR CONDUIT, SHALL BE MULTI-CONDUCTOR, TYPE USE-2 CABLE (#14 AWG OR LARGER), 600 V, OIL RESISTANT RHW-2 OR XHHW-2, STRANDED COPPER CABLE RATED FOR 90°C (WET AND DRY) OPERATION; WITH OUTER JACKET; LISTED OR LABELED FOR THE LOCATION USED, UNLESS OTHERWISE SPECIFIED.
- ALL POWER AND GROUNDING CONNECTIONS SHALL BE CRIMP-STYLE COMPRESSION WIRE LUGS AND WIRE NUTS BY THOMAS AND BETTS (OR EQUAL). LUGS AND WIRE NUTS SHALL BE RATED FOR OPERATION AT NO LESS THAN 90°C.
- ELECTRICAL METALLIC TUBING (EMT) OR RIGID METALLIC CONDUIT (RMC) SHALL BE USED FOR EXPOSED OR CONCEALED LOCATIONS.
- ALL OUTDOOR EXPOSED CONDUIT SHALL BE PVC SCHEDULE 80 AND SHALL BE SUPPORTED ADEQUATELY.
- LIQUID-TIGHT FLEXIBLE METALLIC CONDUIT (LIQUID-TITE FLEX) SHALL BE USED OUTDOORS, WHERE VIBRATION OCCURS OR FLEXIBILITY IS NEEDED. LFMC SHALL CONFORM TO NEC ARTICLE 350.
- CONDUIT AND TUBING FITTINGS SHALL BE THREADED OR COMPRESSION-TYPE AND APPROVED FOR THE LOCATION USED. SET SCREW FITTINGS ARE NOT ACCEPTABLE.
- CABINETS, BOXES, AND WIREWAYS SHALL BE LISTED OR LABELED FOR ELECTRICAL USE IN ACCORDANCE WITH NEMA, UL, ANSI/IEEE, AND NEC.
- EQUIPMENT CABINETS, TERMINAL BOXES, JUNCTION BOXES, AND PULL BOXES SHALL BE GALVANIZED OR EPOXY-COATED SHEET STEEL, SHALL MEET OR EXCEED UL 50, AND RATED NEMA 3R (OR BETTER) OUTDOORS.
- IF REQUIRED, CONTRACTOR SHALL APPLY FOR ELECTRICAL SERVICE AS SOON AS POSSIBLE AND COORDINATE REQUIREMENTS, SERVICE ROUTING, AND METER SOCKET TYPE WITH LOCAL POWER COMPANY.
- CONTRACTOR SHALL OBTAIN ALL PERMITS, PAY PERMIT FEES, AND SCHEDULE INSPECTIONS.
- CONTRACTOR SHALL LABEL ELECTRICAL EQUIPMENT IN ACCORDANCE WITH NEC 110.16 AND 110.24.
- CONTRACTOR SHALL VERIFY THAT THE MAIN BONDING JUMPER AND GROUNDING ELECTRODE CONDUCTOR IS INSTALLED PROPERLY AT SERVICE ENTRANCE.

ANTENNA MOUNTING NOTES

- DESIGN AND CONSTRUCTION OF ANTENNA SUPPORTS SHALL CONFORM TO ANSI/TIA-222-H-2017 "STRUCTURAL STANDARD FOR ANTENNA SUPPORTING STRUCTURES, ANTENNAS AND SMALL WIND TURBINE SUPPORT STRUCTURES". THE BUILDING CODE OF NEW YORK STATE, AND ALL OTHER APPLICABLE LOCAL, STATE, AND FEDERAL CODES.
- ALL STEEL MATERIALS SHALL BE GALVANIZED AFTER FABRICATION IN ACCORDANCE WITH ASTM A123 "ZINC (HOT-DIP GALVANIZED) COATINGS ON IRON AND STEEL PRODUCTS", UNLESS OTHERWISE NOTED.
- ALL BOLTS, ANCHORS AND MISCELLANEOUS HARDWARE SHALL BE GALVANIZED IN ACCORDANCE WITH ASTM A153 "ZINC-COATING (HOT-DIP) ON IRON AND STEEL HARDWARE", UNLESS OTHERWISE NOTED.
- DAMAGED GALVANIZED SURFACES SHALL BE REPAIRED BY COLD GALVANIZING IN ACCORDANCE WITH ASTM A780 "REPAIR OF DAMAGED AND UNCOATED AREAS OF HOT-DIP GALVANIZED COATINGS", USING COLD GALVANIZING COMPOUND AS MANUFACTURED BY ZINGA-USA OR ZINC KOTE, OR ENGINEER APPROVED EQUAL WITH A MINIMUM METALLIC ZINC CONTENT OF 95% BY WEIGHT IN DRY FILM. DRY FINISHED COATING THICKNESS SHALL BE 3 MILS MINIMUM.
- ALL ANTENNA MOUNTS SHALL BE INSTALLED WITH DOUBLE NUTS AND SHALL BE INSTALLED IN ACCORDANCE WITH MANUFACTURER'S SPECIFICATIONS.

STRUCTURAL NOTE

- REFER TO STRUCTURAL ANALYSIS REPORT PREPARED BY TECTONIC ENGINEERING CONSULTANTS, GEOLOGISTS & LAND SURVEYORS, D.P.C DATED 02/13/23.

GROUNDING NOTES

GROUND TESTING AFTER CONSTRUCTION:

- AFTER COMPLETION OF CONSTRUCTION OF THE CELL SITE GROUND SYSTEM, A POST INSTALLATION GROUND TEST SHALL BE PERFORMED BY THE CONTRACTOR. THE CONTRACTOR SHALL DETERMINE THE GROUND RESISTANCE FOR ALL SITES AFTER INSTALLATION OF THE EARTH GROUND SYSTEM. A PRELIMINARY EARTH RESISTIVITY TEST (3 POLE TEST OR CLAMP-ON-METER) SHALL BE PERFORMED PRIOR TO BACK FILLING ALL TRENCHES AS SPECIFIED IN VERIZON NETWORK STANDARDS (NSTD46) AND THE NATIONAL ELECTRIC CODE.
- APPROVED MEASUREMENT METHODS FOR POST INSTALLATION GROUND TESTING SHALL BE ONE OF THE FOLLOWING METHODS:
 - FALL OF POTENTIAL METHOD - 3 POINT
 - CLAMP-ON RESISTANCE TEST
 - TOWER AND EXTERNAL CONDUCTOR TEST
- PROVIDE THE POST INSTALLATION - GROUND RESISTANCE TEST REPORT TO THE REGIONAL PROJECT ENGINEER ACCOMPANIED BY THE POST RESISTANCE DATE CHART.
- USE OF 90° BENDS IN THE PROTECTION GROUNDING CONDUCTORS SHALL BE AVOIDED WHEN 45° BENDS CAN BE ADEQUATELY SUPPORTED. ALL BENDS SHALL BE MADE WITH 12" RADIUS OR LARGER.
- APPROVED ANTIOXIDANT COATINGS (I.E. CONDUCTIVE GEL OR PASTE) SHALL BE USED ON ALL COMPRESSION AND BOLTED GROUND CONNECTIONS.
- GROUNDING TEST SHALL BE TAKEN BEFORE A/C POWER, NEUTRAL/GROUND BOND IS CONNECTED.
- ANTI-OXIDATION CONDUCTIVE COMPOUNDS ARE REQUIRED ON ALL GROUND CONNECTIONS. NO OX-ID (COSMOLINE GREASE BASED COMPOUND) SHALL BE USED FOR COPPER TO COPPER CONNECTIONS. ZINC BASED COMPOUND (GREY COLORED) OR APPROVED EQUAL SHALL BE USED FOR COPPER TO STEEL CONNECTIONS.
- ALL LUG CONNECTIONS & THEIR MATING SURFACES SHALL BE CLEANED AND COATED WITH THE APPROPRIATE ANTI-OXIDIZING CONDUCTIVE COMPOUND. IF A LUG CONNECTION IS TO BE SECURED DIRECTLY TO A PAINTED SURFACE, THE PAINT SHALL BE REMOVED TO REVEAL BARE METAL AROUND THE AREA OF THE CONNECTION AND COATED WITH AN APPROPRIATE ANTI-OXIDATION CONDUCTIVE COMPOUNDS.

GENERAL NOTES

- ALL WORK SHALL CONFORM TO THE REQUIREMENTS OF THE NEW YORK STATE BUILDING CODE, AND ALL OTHER APPLICABLE CODES AND ORDINANCES.
- CONTRACTOR SHALL VISIT THE JOB SITE AND FAMILIARIZE HIMSELF WITH ALL CONDITIONS AFFECTING THE PROPOSED WORK AND MAKE PROVISIONS AS TO THE COST THEREOF. CONTRACTOR SHALL BE RESPONSIBLE FOR FAMILIARIZING HIMSELF WITH ALL CONTRACT DOCUMENTS, FIELD CONDITIONS AND DIMENSIONS AND CONFIRMING THAT THE WORK MAY BE ACCOMPLISHED AS SHOWN PRIOR TO PROCEEDING WITH CONSTRUCTION. ANY DISCREPANCIES SHALL BE BROUGHT TO THE ATTENTION OF THE ENGINEER PRIOR TO THE COMMENCEMENT OF WORK.
- PLANS ARE NOT TO BE SCALED. THESE PLANS ARE INTENDED TO BE A DIAGRAMMATIC OUTLINE ONLY. UNLESS OTHERWISE NOTED, THE WORK SHALL INCLUDE FURNISHING MATERIALS, EQUIPMENT, APPURTENANCES, AND LABOR NECESSARY TO EFFECT ALL INSTALLATIONS AS INDICATED ON THE DRAWINGS.
- DIMENSIONS SHOWN ARE TO FINISH SURFACES, UNLESS OTHERWISE NOTED. SPACING BETWEEN EQUIPMENT IS REQUIRED CLEARANCE. THEREFORE, IT IS CRITICAL TO FIELD VERIFY DIMENSIONS, SHOULD THERE BE ANY QUESTIONS REGARDING THE CONTRACT DOCUMENTS, EXISTING CONDITIONS AND/OR DESIGN INTENT, THE CONTRACTOR SHALL BE RESPONSIBLE FOR OBTAINING A CLARIFICATION FROM THE CARRIER'S AUTHORIZED REPRESENTATIVE OR THE ENGINEER PRIOR TO PROCEEDING WITH THE WORK.
- DETAILS ARE INTENDED TO SHOW END RESULT OF DESIGN. MINOR MODIFICATIONS MAY BE REQUIRED TO SUIT JOB DIMENSIONS OR CONDITIONS, AND SUCH MODIFICATIONS SHALL BE INCLUDED AS PART OF THE WORK.
- CONTRACTOR SHALL RECEIVE CLARIFICATION IN WRITING, AND SHALL RECEIVE IN WRITING AUTHORIZATION TO PROCEED BEFORE STARTING WORK ON ANY ITEMS NOT CLEARLY DEFINED OR IDENTIFIED BY THE CONTRACT DOCUMENTS.
- CONTRACTOR SHALL NOTIFY THE CONSTRUCTION MANAGER OF ALL PRODUCTS OR ITEMS NOTED AS "EXISTING" WHICH ARE NOT FOUND TO BE IN THE FIELD.
- CONTRACTOR SHALL SUPERVISE AND DIRECT THE WORK USING THE BEST CONSTRUCTION SKILLS AND ATTENTION. CONTRACTOR SHALL BE SOLELY RESPONSIBLE FOR CONSTRUCTION MEANS, METHODS, TECHNIQUES, SEQUENCES, PROCEDURES, AND FOR COORDINATING ALL PORTIONS OF THE WORK UNDER CONTRACT, UNLESS OTHERWISE NOTED.
- ERECTION SHALL BE DONE IN A WORKMANLIKE MANNER BY COMPETENT EXPERIENCED WORKMEN IN ACCORDANCE WITH APPLICABLE CODES AND THE BEST ACCEPTED PRACTICE. ALL MEMBERS SHALL BE LAID PLUMB AND TRUE AS INDICATED ON THE DRAWINGS.
- CONTRACTOR SHALL BE RESPONSIBLE FOR THE SAFETY OF THE WORK AREA, AND ADJACENT AREAS, THAT ARE LIKELY TO BE AFFECTED BY THE WORK UNDER THIS CONTRACT. WORK SHALL CONFORM TO ALL OSHA REQUIREMENTS.
- CONTRACTOR SHALL COORDINATE HIS WORK AND SCHEDULE HIS ACTIVITIES AND WORKING HOURS IN ACCORDANCE WITH THE REQUIREMENTS OF THE OWNER.
- CONTRACTOR SHALL BE RESPONSIBLE FOR COORDINATING HIS WORK WITH THE WORK OF OTHERS AS IT MAY RELATE TO RADIO EQUIPMENT, ANTENNAS AND ANY OTHER PORTIONS OF THE WORK.
- CONTRACTOR SHALL MAINTAIN LIABILITY INSURANCE TO PROTECT THE OWNER AND CARRIER.
- INSTALL ALL EQUIPMENT AND MATERIALS IN ACCORDANCE WITH MANUFACTURER'S RECOMMENDATIONS UNLESS SPECIFICALLY INDICATED OR WHERE LOCAL CODES OR REGULATIONS TAKE PRECEDENCE.
- MAKE NECESSARY PROVISIONS TO PROTECT EXISTING SURFACES, EQUIPMENT, IMPROVEMENTS, PIPING, ANTENNA AND ANTENNA CABLES. REPAIR ANY DAMAGE THAT OCCURS DURING CONSTRUCTION.
- REPAIR ALL EXISTING SURFACES DAMAGED DURING CONSTRUCTION SUCH THAT THEY MATCH AND BLEND WITH ADJACENT SURFACES.
- KEEP CONTRACT AREA CLEAN, HAZARD FREE, AND DISPOSE OF ALL DEBRIS AND RUBBISH. EQUIPMENT NOT SPECIFIED AS REMAINING ON THE PROPERTY OF THE OWNER SHALL BE REMOVED. LEAVE PREMISES IN CLEAN CONDITION AND FREE FROM PAINT SPOTS, DUST, OR SMUDGES OF ANY NATURE. CONTRACTOR SHALL BE RESPONSIBLE FOR MAINTAINING ALL ITEMS UNTIL COMPLETION OF CONSTRUCTION.
- CONTRACTOR SHALL VERIFY ALL DIMENSIONS AND CONDITIONS IN THE FIELD PRIOR TO FABRICATION AND ERECTION OF ANY MATERIAL. ANY UNUSUAL CONDITIONS SHALL BE REPORTED TO THE ATTENTION OF THE ENGINEER.
- CONTRACTOR SHALL SECURE ALL NECESSARY BUILDING PERMITS AND INSPECTIONS AND PAY ALL REQUIRED FEES.
- PROVIDE A PORTABLE FIRE EXTINGUISHER WITH A RATING OF NOT LESS THAN 2-A OR 2-A/10-BC WITHIN 75 FEET TRAVEL DISTANCE TO ALL PORTIONS OF THE BUILDOUT AREA DURING CONSTRUCTION.
- ALL BROCHURES, OPERATING AND MAINTENANCE MANUALS, CATALOGS, SHOP DRAWINGS AND OTHER DOCUMENTATION SHALL BE TURNED OVER TO CARRIER AT COMPLETION OF CONSTRUCTION.
- COMPLETE JOB SHALL BE GUARANTEED FOR A PERIOD OF ONE (1) YEAR AFTER THE DATE OF ACCEPTANCE BY CARRIER. ANY WORK, MATERIALS, OR EQUIPMENT FOUND TO BE DEFECTIVE DURING THAT PERIOD SHALL BE CORRECTED IMMEDIATELY UPON WRITTEN NOTIFICATION AT NO ADDITIONAL COST TO CARRIER.
- RIGGING OPERATIONS SHALL BE DONE IN ACCORDANCE WITH STATE AND FEDERAL SAFETY REGULATIONS (OSHA). ENGINEER, CARRIER AND THE OWNER SHALL BE HELD HARMLESS IN THE EVENT THE CONTRACTOR DOES NOT FOLLOW SUCH SAFETY REGULATIONS.
- CONTRACTOR SHALL PROVIDE ACCESS TO THE SITE AND ASSIST THE RADIO EQUIPMENT VENDOR AND THE ANTENNA INSTALLATION CONTRACTOR AS THEY MAY REQUIRE.



4 CENTERCROSS RD
WEST NYACK, NY 10994



TECTONIC ENGINEERING CONSULTANTS, GEOLOGISTS & LAND SURVEYORS, D.P.C.
Professional Engineer
34 Middle Avenue 4E-4 Phone: (914) 763-1630
Daly 101 (914) 828-0821
Latham, NY 12110 www.tectoniceng.com

NO	NUMBER	DRAWN BY	REVIEWED BY
	11142.17B	JF	LP

NO.	DATE	ISSUE
0	8/14/22	FOR CONSTRUCTION
1	03/10/23	PER COMMENTS

RELEASED BY: _____ DATE: _____

UNAUTHORIZED ALTERATION OR ADDITIONS TO A PLAN BEARING THE SEAL OF A LICENSED ENGINEER OR LAND SURVEYOR IS A VIOLATION OF SECTION 2209 SUBSECTION 2 OF THE NEW YORK STATE EDUCATION LAW.

COPIES OF THIS DOCUMENT WITHOUT A FACSIMILE OF THE SIGNATURE AND AN ORIGINAL UNREPRODUCED SEAL OR ORIGINAL STAMP IN BLUE OR RED INK OF THE PROFESSIONAL ENGINEER OR LAND SURVEYOR SHALL NOT BE CONSIDERED VALID COPIES.

0 1
ORIGINAL SIZE IN INCHES
(22x34 FORMAT)

0 1
ORIGINAL SIZE IN INCHES
(11x17 FORMAT)

SITE INFORMATION

WST_WHP_NO35-1A
FUZE ID: 16559008
LC: 691793
UTILITY POLE# S/L1506 NY1/VZ1

SITE ADDRESS

49 SMITH AVE
POLE ON SMITH AVE
CITY OF WHITE PLAINS
WESTCHESTER COUNTY
NY 10605

SHEET TITLE

GENERAL NOTES

SHEET NUMBER

GN-1

NOTE:
SITE INFORMATION BASED ON AERIAL/GIS DATA AND IS FOR ORIENTATION PURPOSES ONLY. IT DOES NOT REPRESENT A PROPERTY/BOUNDARY DECISION BY A LAND SURVEYOR.

NOTE:
THIS PLAN SHALL NOT BE USED FOR CONSTRUCTION UNTIL MAKE READY DETERMINATION HAS BEEN COMPLETED. CONSTRUCTION DRAWINGS DEPICTING FINAL LAYOUT AND DESIGN SHALL BE APPROVED PRIOR TO CONSTRUCTION.



ANTENNA/RADIO RF CONFIGURATION TABLE							
SECTOR	EXISTING/PROPOSED	ANTENNA DATA	AZIMUTH (TRUE NORTH)	ANTENNA Q HEIGHT (AGL)	RRU	# OF CABLES	CABLE LENGTH
ALPHA	PROPOSED	19.47" x 9.57" x 6.89", 32.0 LBS	25°	36.8'	(INTEGRATED)	(1) POWER, (1) CAT6, FIBER JUMPERS	29'± 29'± N/A
BETA	PROPOSED	19.47" x 9.57" x 6.89", 32.0 LBS	175°	36.8'	(INTEGRATED)	(1) POWER, (1) CAT6, FIBER JUMPERS	29'± 29'± N/A
GAMMA	PROPOSED	19.47" x 9.57" x 6.89", 32.0 LBS	280°	36.8'	(INTEGRATED)	(1) POWER, (1) CAT6, FIBER JUMPERS	29'± 29'± N/A

1 SITE PLAN & RF TABLE
C-1 SCALE: 1" = 90' (11x17 SIZE)
1" = 40' (22x34 SIZE)

verizon

4 CENTEROCK RD
WEST HAVEN, NY 10994

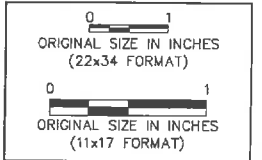
Tectonic

TECHNICAL SERVICES
Tectonic Engineering, Drafting, Consulting & Land Services, S.P.C.
Project Control Job
24 British American Blvd. Phone: (516) 753-1830
Suite 103 Fax: (516) 829-8331
Larchmont, NY 12110 www.tectoniceng.com

WD NUMBER	DRAWN BY	REVIEWED BY
11142.178	JF	LP
NO.	DATE	ISSUE
0	8/14/22	FOR CONSTRUCTION
1	03/10/23	PER COMMENTS

RELEASED BY: DATE:

UNAUTHORIZED ALTERATION OR ADDITIONS TO A PLAN BEARING THE SEAL OF A LICENSED ENGINEER OR LAND SURVEYOR IS A VIOLATION OF SECTION 2008 SUBDIVISION 2 OF THE NEW YORK STATE EDUCATION LAW.
COPIES OF THIS DOCUMENT WITHOUT A FACSIMILE OF THE SIGNATURE AND AN ORIGINAL EMBOSSED SEAL OR ORIGINAL STAMP IN BLUE OR RED INK OF THE PROFESSIONAL ENGINEER OR LAND SURVEYOR SHALL NOT BE CONSIDERED VALID COPIES.



SITE INFORMATION
WST_WHP_NO35-1A
FUZE ID: 16559008
LC: 691793
UTILITY POLE # S/L1506 NYT1/VZ1

SITE ADDRESS
49 SMITH AVE
POLE ON SMITH AVE
CITY OF WHITE PLAINS
WESTCHESTER COUNTY
NY 10605

SHEET TITLE
SITE PLAN & RF TABLE

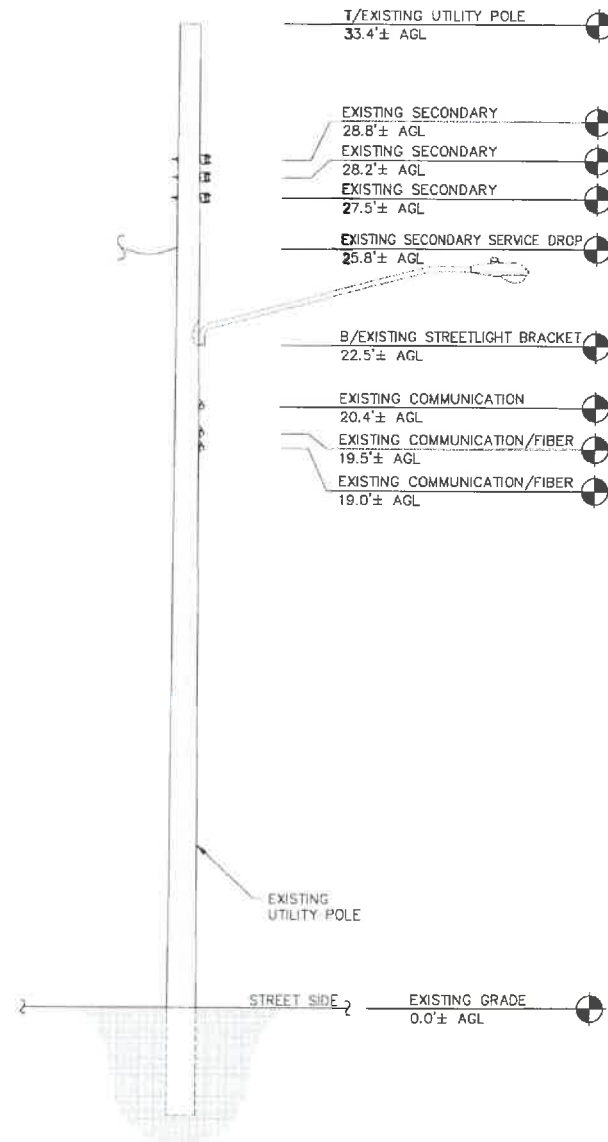
SHEET NUMBER

C-1

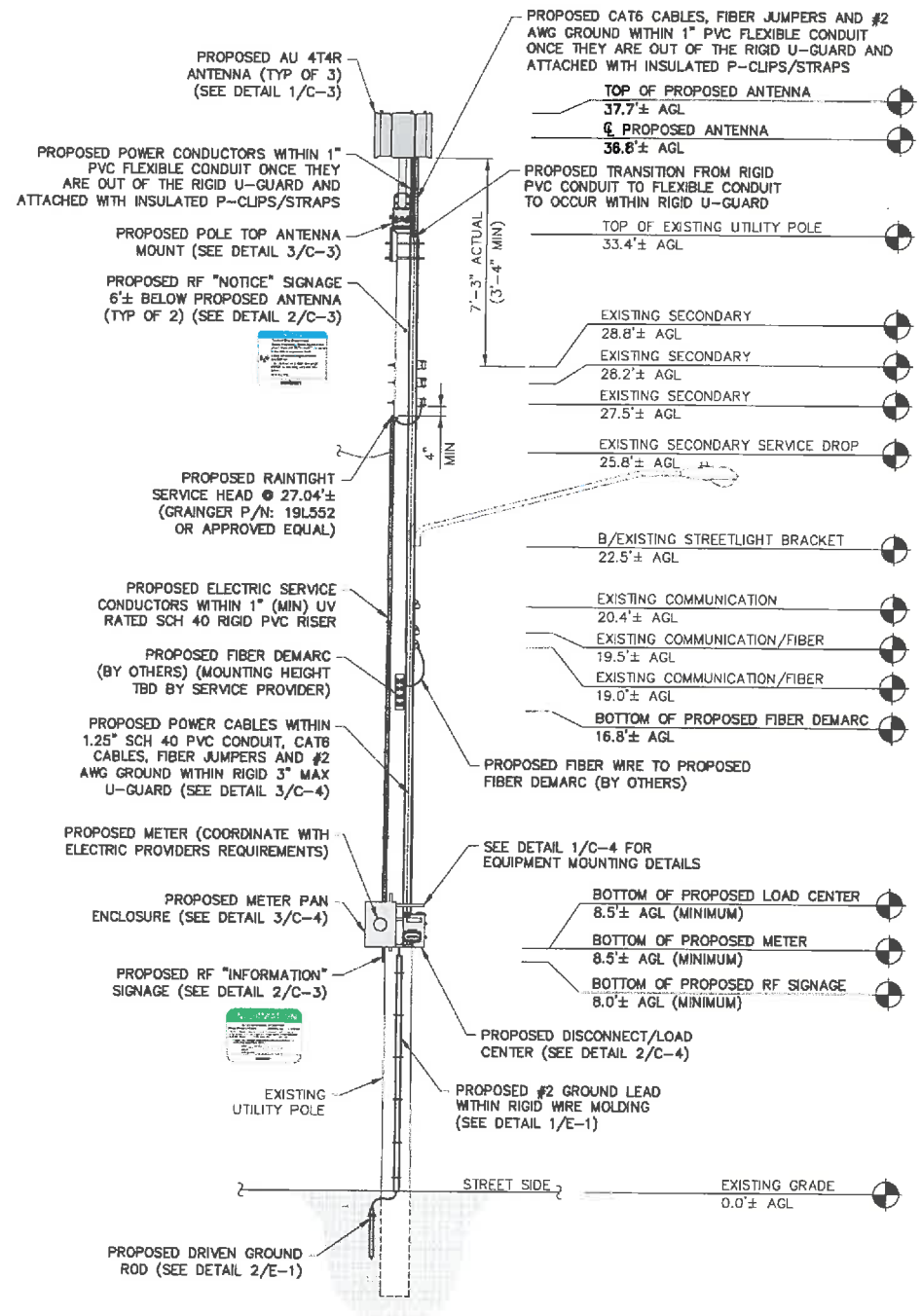
NOTE:
ELEVATIONS OF THE EXISTING POLE APPURTENANCES ARE BASED UPON FIELD SURVEY PERFORMED BY TECTONIC ENGINEERING CONSULTANTS, GEOLOGISTS & LAND SURVEYORS D.P.C., ON 12/3/21.



1 EXISTING POLE PHOTO
SCALE: NTS



2 EXISTING UTILITY POLE ELEVATION
SCALE: 3/16" = 1'-0" (11x17 SIZE)
3/8" = 1'-0" (22x34 SIZE)



3 PROPOSED UTILITY POLE ELEVATION
SCALE: 3/16" = 1'-0" (11x17 SIZE)
3/8" = 1'-0" (22x34 SIZE)



4 CENTEROCK RD
WEST HAVEN, CT 06994



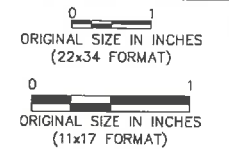
Tectonic Engineering, Geologists & Land Surveyors, P.C.
24 North American Blvd. Phone: (315) 783-1830
Suite 101. Fax: (315) 783-4331
Lithgow, NY 12110 www.tectonic-engineering.com

NO	DATE	ISSUE
0	6/14/22	FOR CONSTRUCTION
1	03/10/23	PER COMMENTS

NO	DATE	ISSUE
0	6/14/22	FOR CONSTRUCTION
1	03/10/23	PER COMMENTS

RELEASED BY	DATE

UNAUTHORIZED ALTERATION OR ADDITIONS TO A PLAN BEARING THE SEAL OF A LICENSED ENGINEER OR LAND SURVEYOR IS A VIOLATION OF SECTION 2008 SUBDIVISION 2 OF THE NEW YORK STATE EDUCATION LAW.



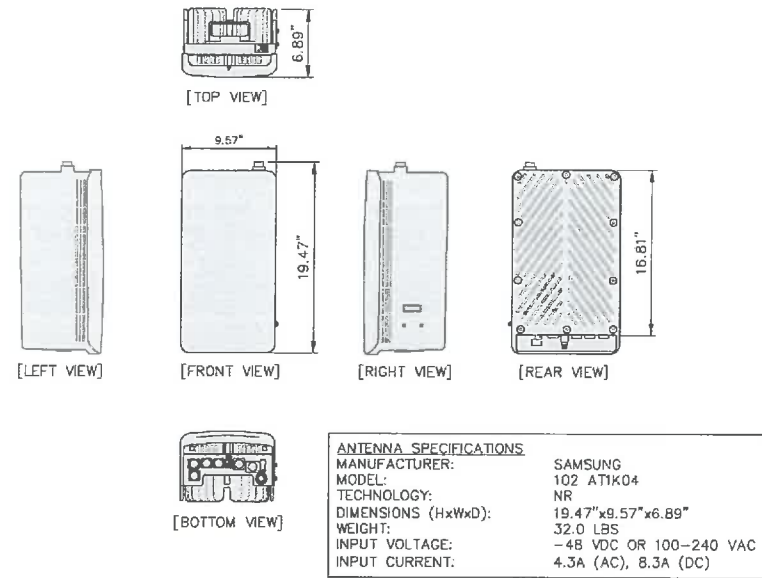
SITE INFORMATION
WST_WHP_NO35-1A
FUZE ID: 16559008
LC: 691793
UTILITY POLE # S/L1506 NY1/VZ1
SITE ADDRESS

49 SMITH AVE
POLE ON SMITH AVE
CITY OF WHITE PLAINS
WESTCHESTER COUNTY
NY 10605

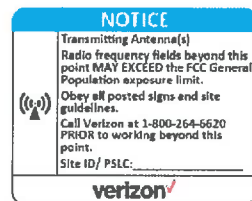
SHEET TITLE
EXISTING & PROPOSED ELEVATIONS

SHEET NUMBER

C-2

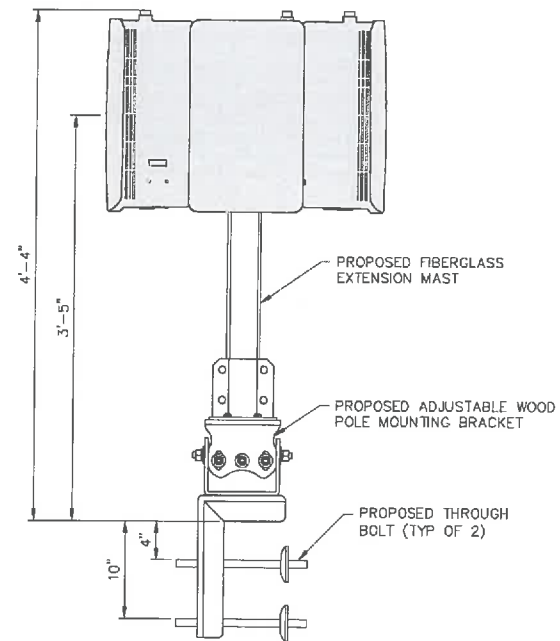
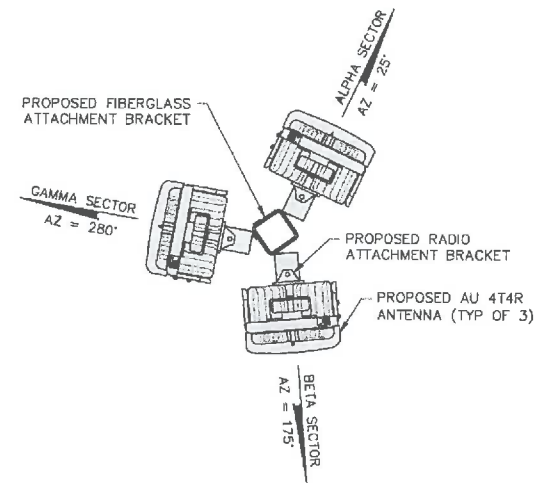


1 ANTENNA DETAIL
 SCALE: 3/4" = 1'-0" (11x17 SIZE)
 1/2" = 1'-0" (22x34 SIZE)



- NOTE:
1. ATTACH RFE SIGNAGE TO FACE OF UTILITY POLE USING 2" WOOD SCREWS.
 2. RF SIGNS ARE APPROXIMATELY 6"x7.5" IN SIZE.
 3. SIGNS SHALL BE LEGIBLE AND READILY VIEWABLE AND READABLE AT A MINIMUM DISTANCE OF FIVE FEET FROM BOUNDARY (AND AS NECESSARY OF APPROACH TO THIS BOUNDARY) AT WHICH THE APPLICABLE LIMITS ARE EXCEEDED, AND THAT CONTROLS OR INDICATORS BE PLACED AT COMPLIANCE BOUNDARIES.

2 PROPOSED SIGNAGE
 SCALE: NTS



- NOTES:
1. SEE FAR FIELD TELECOM PART # FFT-WP-TMXL-40-5G (OR APPROVED EQUAL) FOR DETAILS.
 2. ALL PROPOSED CONNECTION HARDWARE IS INCLUDED WITHIN FAR FIELD TELECOM PART # FFT-WP-TMXL-40-5G.

3 POLE TOP MOUNT ASSEMBLY
 SCALE: 3/4" = 1'-0" (11x17 SIZE)
 1/2" = 1'-0" (22x34 SIZE)



4 CENTEROCK RD
 WEST WADSWORTH, NY 10994

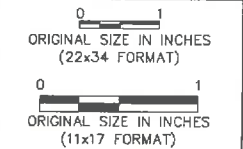


REGISTERED PROFESSIONAL ENGINEER
 Tectonic Engineering, Inc., 26 Bridge Avenue, West Wadsworth, NY 10994
 Phone: (518) 782-1430
 Fax: (518) 782-1431
 www.tectoniceng.com

WO NUMBER	DRAWN BY	REVIEWED BY
11142.178	JF	LP
NO.	DATE	ISSUE
0	6/14/22	FOR CONSTRUCTION
1	03/10/23	PER COMMENTS

RELEASED BY: DATE:

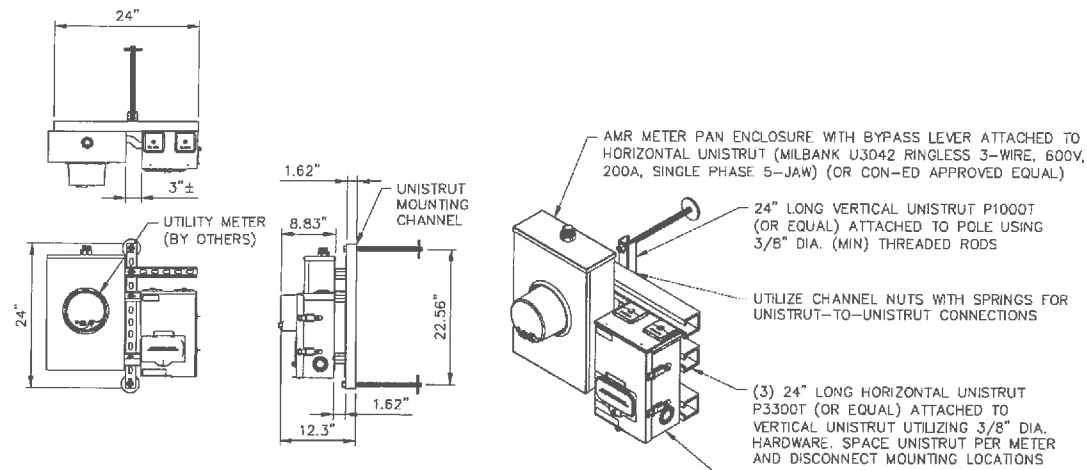
UNAUTHORIZED ALTERATION OR ADDITIONS TO A PLAN BEARING THE SEAL OF A LICENSED ENGINEER OR LAND SURVEYOR IS A VIOLATION OF SECTION 2209 SUBSECTION 2 OF THE NEW YORK STATE EDUCATION LAW.
 COPIES OF THIS DOCUMENT WITHOUT A FACSIMILE OF THE SIGNATURE AND AN ORIGINAL EMBOSSED SEAL OR ORIGINAL STAMP IN BLUE OR RED INK OF THE PROFESSIONAL ENGINEER OR LAND SURVEYOR SHALL NOT BE CONSIDERED VALID COPIES.



SITE INFORMATION
 WST_WHP_N035-1A
 FUZE ID: 16559008
 LC: 691793
 UTILITY POLE # S/L1506 NY1/VZ1
 SITE ADDRESS
 49 SMITH AVE
 POLE ON SMITH AVE
 CITY OF WHITE PLAINS
 WESTCHESTER COUNTY
 NY 10605

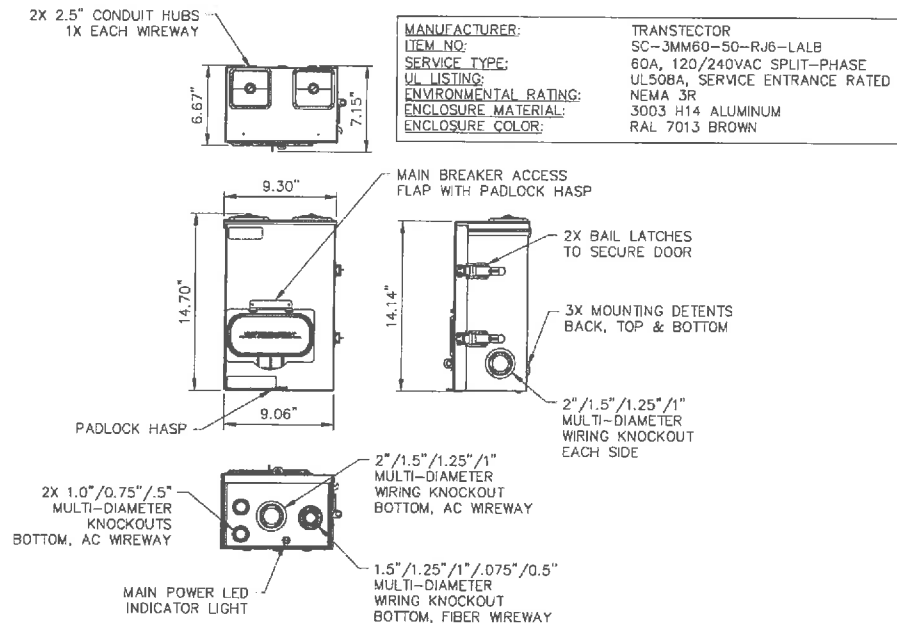
SHEET TITLE
 DETAILS

SHEET NUMBER
 C-3



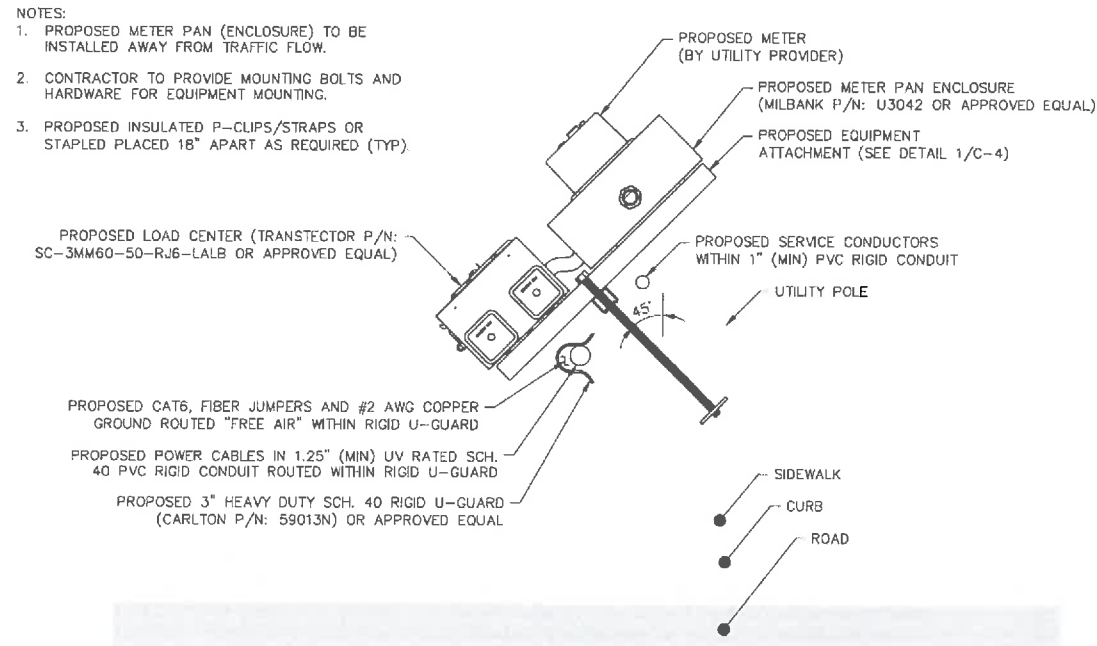
- NOTES:
- CONTRACTOR TO CAP ALL EXPOSED UNISTRUT ENDS UTILIZING UNISTRUT END CAPS.
 - CONTRACTOR TO PROVIDE MOUNTING BOLTS AND HARDWARE.
 - SERVICE DISCONNECT TO BE LABELED AS PER NEC.

1 EQUIPMENT ATTACHMENT DETAIL
C-4 SCALE: NOT TO SCALE



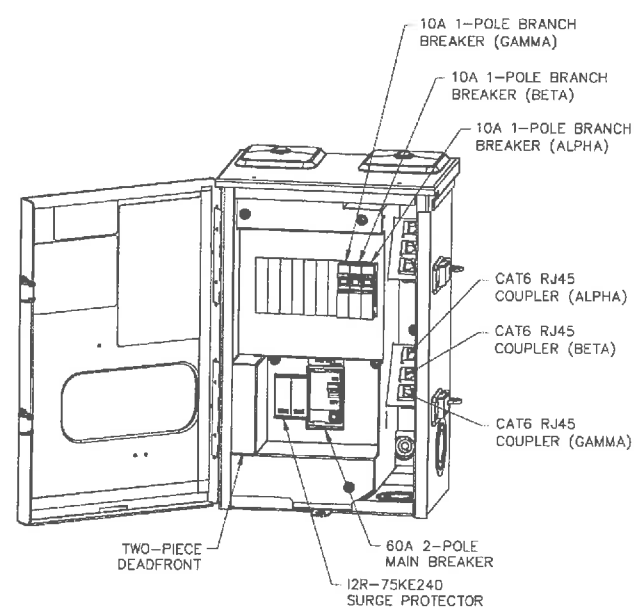
MANUFACTURER: TRANSECTOR
 ITEM NO: SC-3MM60-50-RJ6-LALB
 SERVICE TYPE: 60A, 120/240VAC SPLIT-PHASE
 UL LISTING: UL508A, SERVICE ENTRANCE RATED
 ENVIRONMENTAL RATING: NEMA 3R
 ENCLOSURE MATERIAL: 3003 H14 ALUMINUM
 ENCLOSURE COLOR: RAL 7013 BROWN

2 DISCONNECT/LOAD CENTER DETAIL
C-4 SCALE: NOT TO SCALE



- NOTES:
- PROPOSED METER PAN (ENCLOSURE) TO BE INSTALLED AWAY FROM TRAFFIC FLOW.
 - CONTRACTOR TO PROVIDE MOUNTING BOLTS AND HARDWARE FOR EQUIPMENT MOUNTING.
 - PROPOSED INSULATED P-CLIPS/STRAPS OR STAPLED PLACED 18" APART AS REQUIRED (TYP)

3 EQUIPMENT PLAN
C-4 SCALE: NOT TO SCALE



4 LOAD CENTER POINT OF CONNECTION
C-4 SCALE: NOT TO SCALE



4 CENTERCOURT RD
WEST HYACK, NY 10994



11142.178 JF LP

NO.	DATE	ISSUE
0	6/14/22	FOR CONSTRUCTION
1	03/10/23	PER COMMENTS

RELEASED BY: DATE:

UNAUTHORIZED ALTERATION OR ADDITIONS TO A PLAN BEARING THE SEAL OF A LICENSED ENGINEER OR LAND SURVEYOR IS A VIOLATION OF SECTION 2209 SUBDIVISION 2 OF THE NEW YORK STATE EDUCATION LAW.
 COPIES OF THIS DOCUMENT WITHOUT A FACSIMILE OF THE SIGNATURE AND AN ORIGINAL EMBOSSED SEAL OR ORIGINAL STAMP IN BLUE OR RED INK OF THE PROFESSIONAL ENGINEER OR LAND SURVEYOR SHALL NOT BE CONSIDERED VALID COPIES.

0 1
ORIGINAL SIZE IN INCHES (22x34 FORMAT)
0 1
ORIGINAL SIZE IN INCHES (11x17 FORMAT)

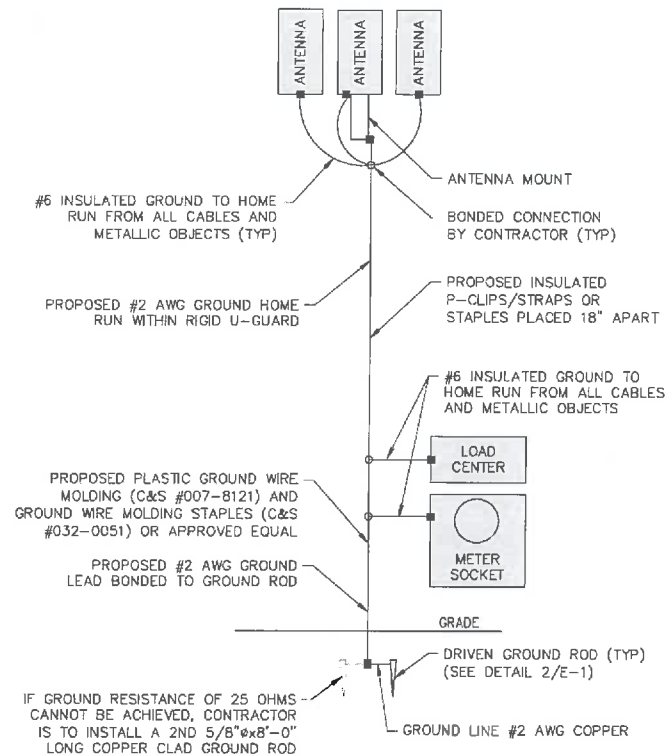
SITE INFORMATION
 WST_WHP_NO35-1A
 FUZE ID: 16559008
 LC: 691793
 UTILITY POLE# S/L1506 NYT1/VZ1
 SITE ADDRESS
 49 SMITH AVE
 POLE ON SMITH AVE
 CITY OF WHITE PLAINS
 WESTCHESTER COUNTY
 NY 10605

SHEET TITLE
 DETAILS

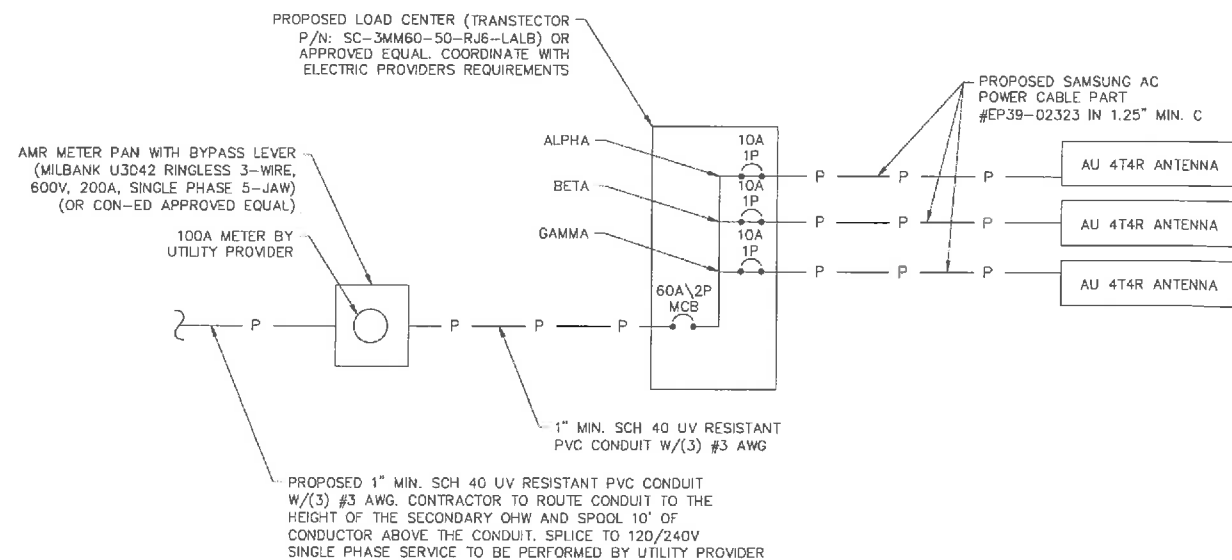
SHEET NUMBER
 C-4

NOTES:

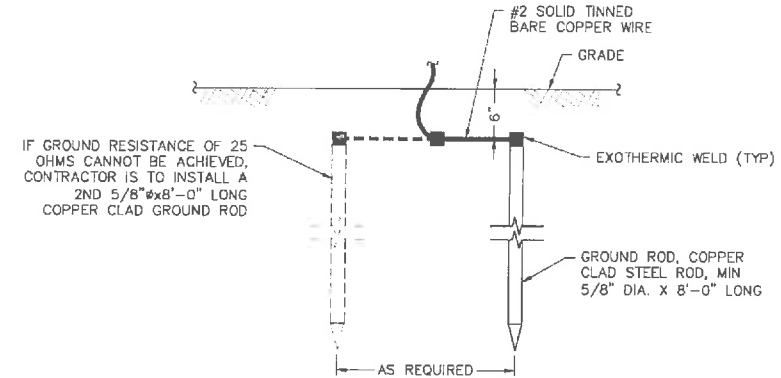
1. THE CONTRACTOR IS RESPONSIBLE FOR PROPERLY INSTALLING AND SEQUENCING THE GROUNDING SYSTEM TO ENSURE NO LOSS IN CONTINUITY.
2. THE GROUNDING SYSTEM SHALL BE TESTED UPON INSTALLATION AND MAXIMUM RESISTANCE SHALL NOT EXCEED 25 OHMS. REFER TO CON EDISON DRAWING EO-8265-B FOR ADDITIONAL INFORMATION IF 25 OHMS CANNOT BE ACHIEVED.
3. DO NOT INSTALL CABLE GROUNDING KITS AT BENDS.
4. REFER TO CON EDISON DRAWING NO. EO-8265-B FOR ADDITIONAL INFORMATION.
5. NEUTRAL TO BE BONDED TO GROUND BAR WITHIN LOAD CENTER.
6. GROUND WIRE LEADS SHALL BE BONDED TOGETHER TO THE DRIVEN GROUND ROD AND CON EDISON SYSTEM NEUTRAL, AS PER TEAM POLICY 003-01-0 TO MAINTAIN EQUIPOTENTIAL.



1 GROUNDING RISER DIAGRAM
SCALE: NOT TO SCALE



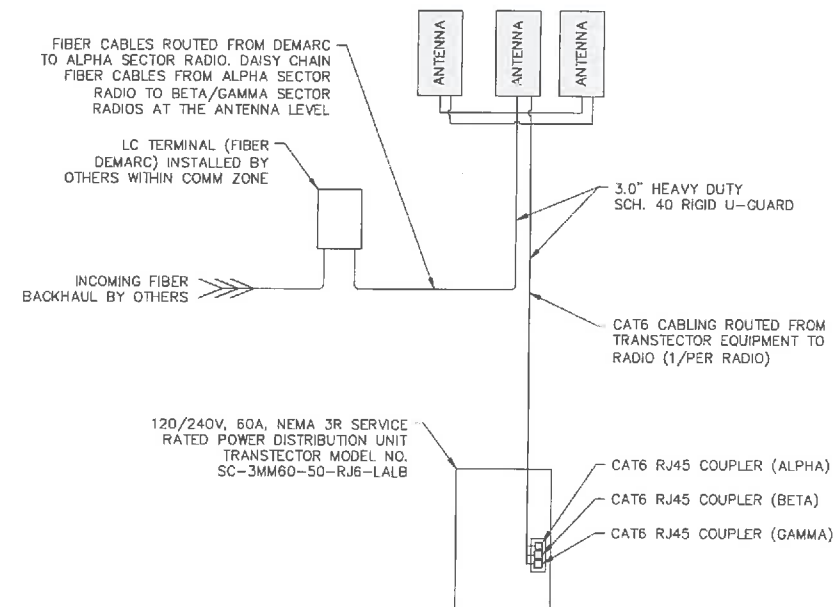
3 ELECTRICAL ONE-LINE DIAGRAM
SCALE: NOT TO SCALE



NOTES:

1. GROUND ROD SHALL BE DRIVEN VERTICALLY, NOT TO EXCEED 45 DEGREES FROM VERTICAL.
2. REFER TO CON EDISON DRAWING NO. EO-8265-B FOR ADDITIONAL INFORMATION.
3. FINAL LENGTH OF GROUND ROD MAY VARY PENDING FIELD CONDITIONS.

2 GROUND ROD DETAIL
SCALE: NOT TO SCALE



NOTES:

1. CONTRACTOR SHALL VERIFY REQUIRED CABLE LENGTHS PRIOR TO ORDERING MATERIALS.
2. SEAL ALL CONDUITS AND PENETRATIONS WATERTIGHT. CONTRACTOR SHALL SUPPLY ALL BUSHINGS AND SEALING WASHERS AS REQUIRED TO MAINTAIN NEMA 3R RATING.

4 RF ONE-LINE DIAGRAM
SCALE: NOT TO SCALE



4 CENTEROCK RD
WEST HYACK, NY 10994

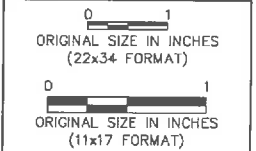


PROJECT: 11142.178
DATE: 6/14/22
ISSUE: FOR CONSTRUCTION

NO.	DATE	ISSUE
0	6/14/22	FOR CONSTRUCTION
1	03/10/23	PER COMMENTS

RELEASED BY	DATE

UNAUTHORIZED ALTERATION OR ADDITIONS TO A PLAN BEARING THE SEAL OF A LICENSED ENGINEER OR LAND SURVEYOR IS A VIOLATION OF SECTION 2209 SUBSECTION 2 OF THE NEW YORK STATE EDUCATION LAW.
COPIES OF THIS DOCUMENT WITHOUT A FACSIMILE OF THE SIGNATURE AND AN ORIGINAL GARBLED SEAL OR ORIGINAL STAMP IN BLUE OR RED INK OF THE PROFESSIONAL ENGINEER OR LAND SURVEYOR SHALL NOT BE CONSIDERED VALID COPIES.



SITE INFORMATION
WST_WHP_NO35-1A
FUZE ID: 16559008
LC: 691793
UTILITY POLE# S/L1506 NYT1/VZ1
SITE ADDRESS
49 SMITH AVE
POLE ON SMITH AVE
CITY OF WHITE PLAINS
WESTCHESTER COUNTY
NY 10605

SHEET TITLE
ELECTRICAL & GROUNDING
DIAGRAMS & DETAILS

SHEET NUMBER

E-1